

Receiver

From

Company
Reference
Address
Phone
Fax
E-mail

Item n° : 60173605
Customer pos. no.:
Model : KI 30/90 M
Standard version

Pump data

MEI $\geq 0,40$
Pressure rating : 116 psi
Min. fluid temperature : -10 °C
Max. fluid temperature : 90
Max. Ambient temperature : 40 °C

Requested data

Flow :
Head :
Fluid : Water
Fluid Temperature : 20 °C
Density : 998,3 kg/m³
Kinematic viscosity : 1,005 mm²/s
Vapor pressure : 0,34 psi

Hydraulic data (duty point)

Flow :
Head :
NPSH :
Shaft power P2 :
Efficiency :

Materials

Pump body : AISI 304 X5 Cr Ni 1810 UNI 6900/71
Impeller : AISI 304 X5 Cr Ni 1810 UNI 6900/71
Mechanical seal : Carbon/Ceramic/NBR
Seal disk : Stainless Steel AISI 304
O-Ring : NBR Rubber
Shaft with rotor : AISI 303 X10 CrNiS 1809 UNI 6900/71
Motor casing : Aluminium

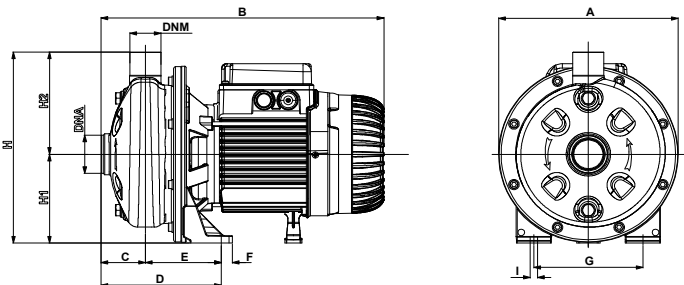
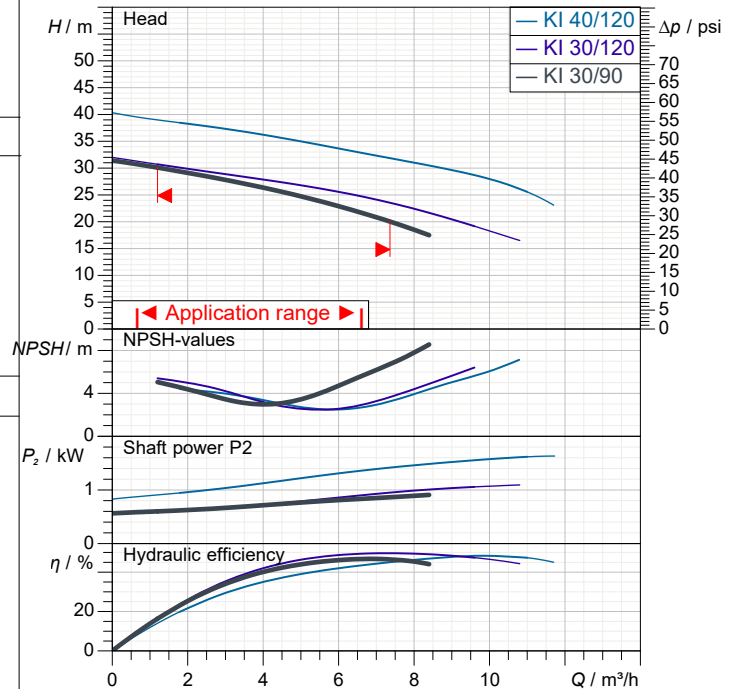
Motor data

Motor brand : DAB
Nominal power P2 : 0,75 kW
Rated speed : 2.800 1/min
Rated voltage : 1~ 220-230 V 50 Hz
Nominal current : 6,5 A
Degree of protection : IP 55

Pump connection

Suction side : 1" 1/4 G / 116 psi
Discharge side : 1" G / 116 psi

Curve tolerance according to ISO 9906



Weight : 13,4 kg

Dimensions in mm

A	214
B	337
C	53
D	143,5
DNA	1"1/4 G
DNM	1" G
E	90,5
F	13
G	130
H	232
H1	108
H2	124
IØ	9



PERFORMANCE CURVES

2023-05-1€

Page 2 / 3

DAB PUMPS S.p.A.
Via Marco Polo, 14 - 35035 Mestrino (PD), Italy
Tel. +39 049 5125000 - Fax +39 049 5125950
www.dabpumps.com

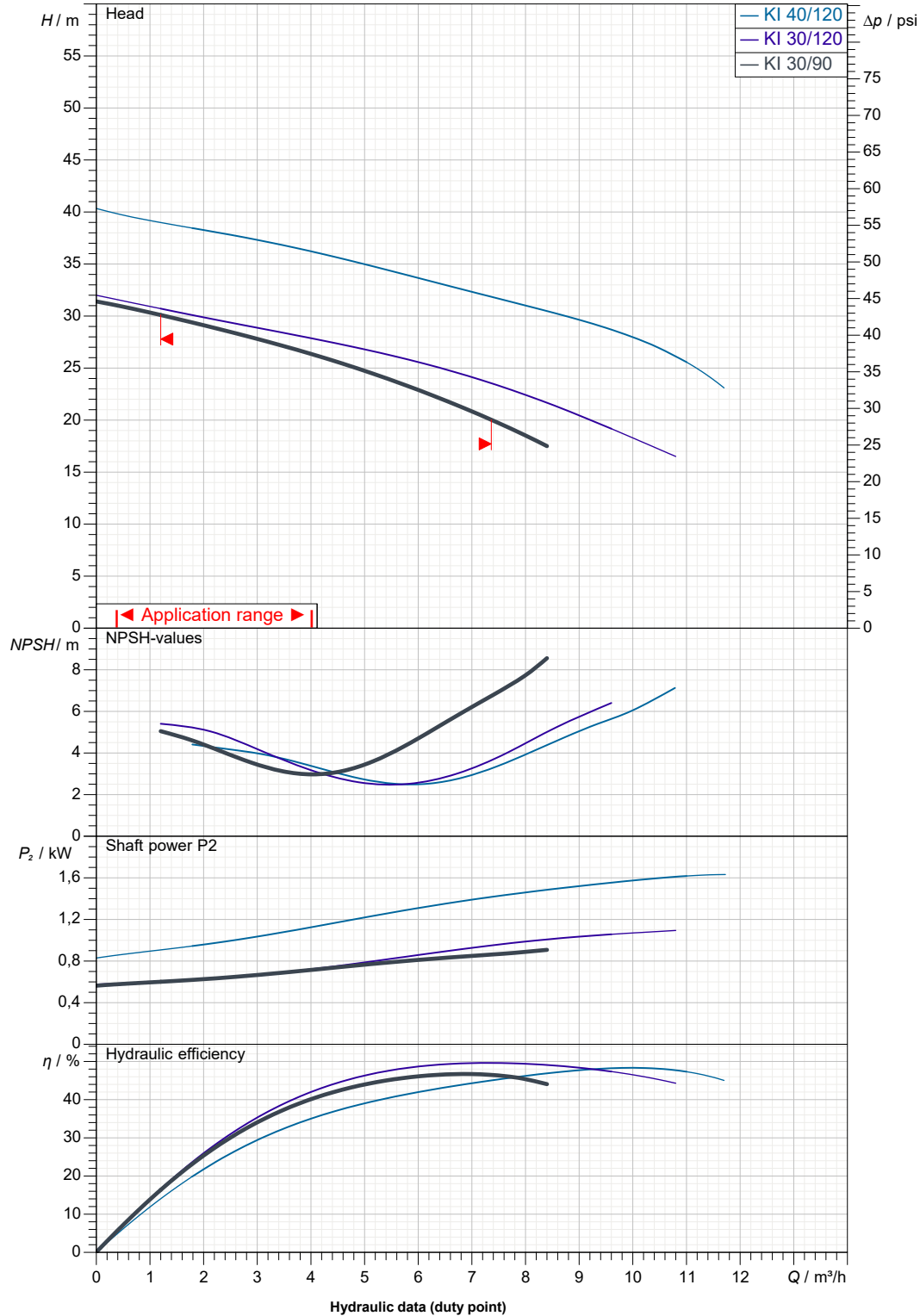
Receiver

From

Company
Reference
Address
Phone
Fax
E-mail

KI 30/90 M

Curve tolerance according to ISO 9906



Suction side :
1" 1/4 G
116 psi

Discharge side :
1" G
116 psi

Flow :

Head :

Rated speed :
2.800 1/min

MAIN_PROJECT_TITLE

BUSINESS_PROCESS_ID

OWNER_

ISSUE_DATE

2023-05-18



DIMENSIONAL DRAWING

2023-05-18

Page 3 / 3

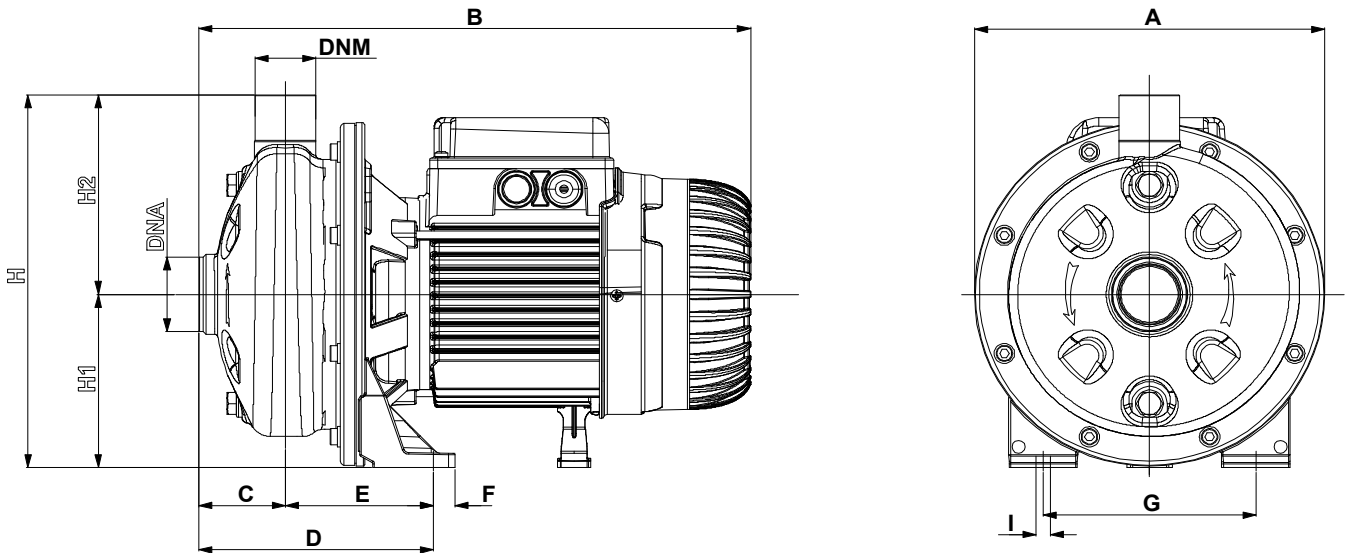
DAB PUMPS S.p.A.
Via Marco Polo, 14 - 35035 Mestrino (PD), Italy
Tel. +39 049 5125000 - Fax +39 049 5125950
www.dabpumps.com

Receiver

From

Company
Reference
Address
Phone
Fax
E-mail

KI 30/90 M



Dimensions in mm						Pump connection
1	A	214	H2	124		Suction 1" 1/4 G 116 psi Discharge 1" G 116 psi
2	B	337	∅	9		
3	C	53				
4	D	143,5				
5	DNA	1" 1/4 G				
6	DNM	1" G				
7	E	90,5				
8	F	13				
9	G	130				
10	H	232				
11	H1	108				

MAIN_PROJECT_TITLE	BUSINESS_PROCESS_ID	OWNER_	ISSUE_DATE 2023-05-18
--------------------	---------------------	--------	--------------------------