

### Receiver

### From

Society  
Reference  
Address  
Phone  
Fax  
E-mail

#### Item n° :

60199039

#### Model :

1 ESYBOX MAX 60/120 M

#### Pump data

Pressure rating : 174 psi  
Constant pressure range : 14,5 - 174 psi (43,5 psi by default)  
Min. fluid temperature : 0 °C  
Max. fluid temperature : 50 °C  
Max. Ambient temperature : 55 °C

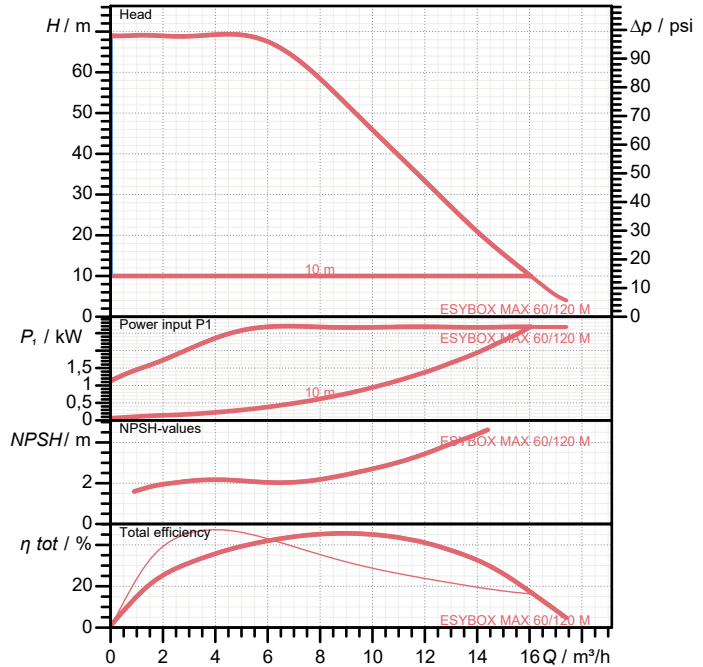
#### Requested data

Flow :  
Head :  
Fluid : Water  
Fluid Temperature : 20 °C  
Density : 998,3 kg/m³  
Kinematic viscosity : 1,005 mm²/s  
Vapor pressure : 0,34 psi

#### Materials

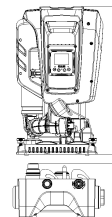
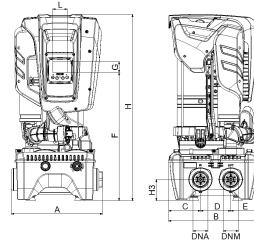
Fitting : Technopolymer PA66 30%GF  
Manifold : Stainless Steel AISI 304  
Flange : Technopolymer PA66 30%GF  
Pump body : Technopolymer PA66 30%GF  
Pump body ring : Technopolymer PP 30%GF  
Impeller : Technopolymer PP 30%GF/AISI 304  
Diffuser : Technopolymer PP 30%GF/AISI 304  
Motor axis : Stainless Steel AISI 303  
OR ring : EPDM  
Motor flange : Technopolymer PA66 30%GF  
Mechanical seal : Impregnated carbon-resin/Silicon carbide/EPDM  
Motor liner : Stainless Steel AISI 304  
Motor body : Technopolymer PA66 30%GF  
Conveyor tube : Technopolymer PP 30%GF  
Pressure sensor : Nylon/EPDM  
Non-return valve : POM/EPDM/AISI 302  
Non-return valve body : Technopolymer PA66 30%GF  
Tank : Noryl/Rubber  
Delivery body : Technopolymer PA66 30%GF  
Outer liner : Stainless Steel AISI 304

#### Curve tolerance according to ISO 9906



#### Hydraulic data (duty point)

Flow :  
Head :



#### Dimensions in mm

A	375	E	127,7	H3	87		
B	384	F	526	L	59,5		
C	131,8	G	45				
D	124,5	H	766				
DNA	1"1/4 - :	H1	613				
DNM	1"1/4 - :	H2	228				

Weight : 38 kg

#### Pump connection

Suction side : 1"1/4 - 2" G / 174 psi  
Discharge side : 1"1/4 - 2" G / 174 psi

#### Motor data

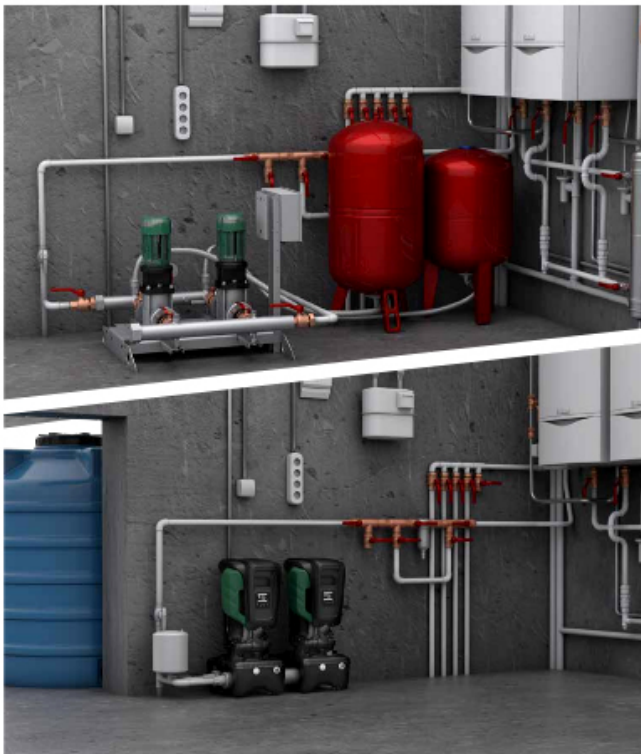
Power input P1 : 1 x 2,68 kW  
Maximum speed : 5.240 1/min  
Rated voltage : 1~ 208-240 V 50 Hz  
Nominal current : 1 x 11,7 A  
Degree of protection : IP X5

# ENERGY SAVING

BEFORE

AFTER

- 20%  
Compared with  
traditional inverter pump



**D+CONNECT**  
BUILT-IN



As quick as a "click"





# PERFORMANCE CURVES

2022-08-1€

Page 3 / 4

DAB PUMPS S.p.A.  
Via Marco Polo, 14 - 35035 Mestrino (PD), Italy  
Tel. +39 049 5125000 - Fax +39 049 5125950  
www.dabpumps.com

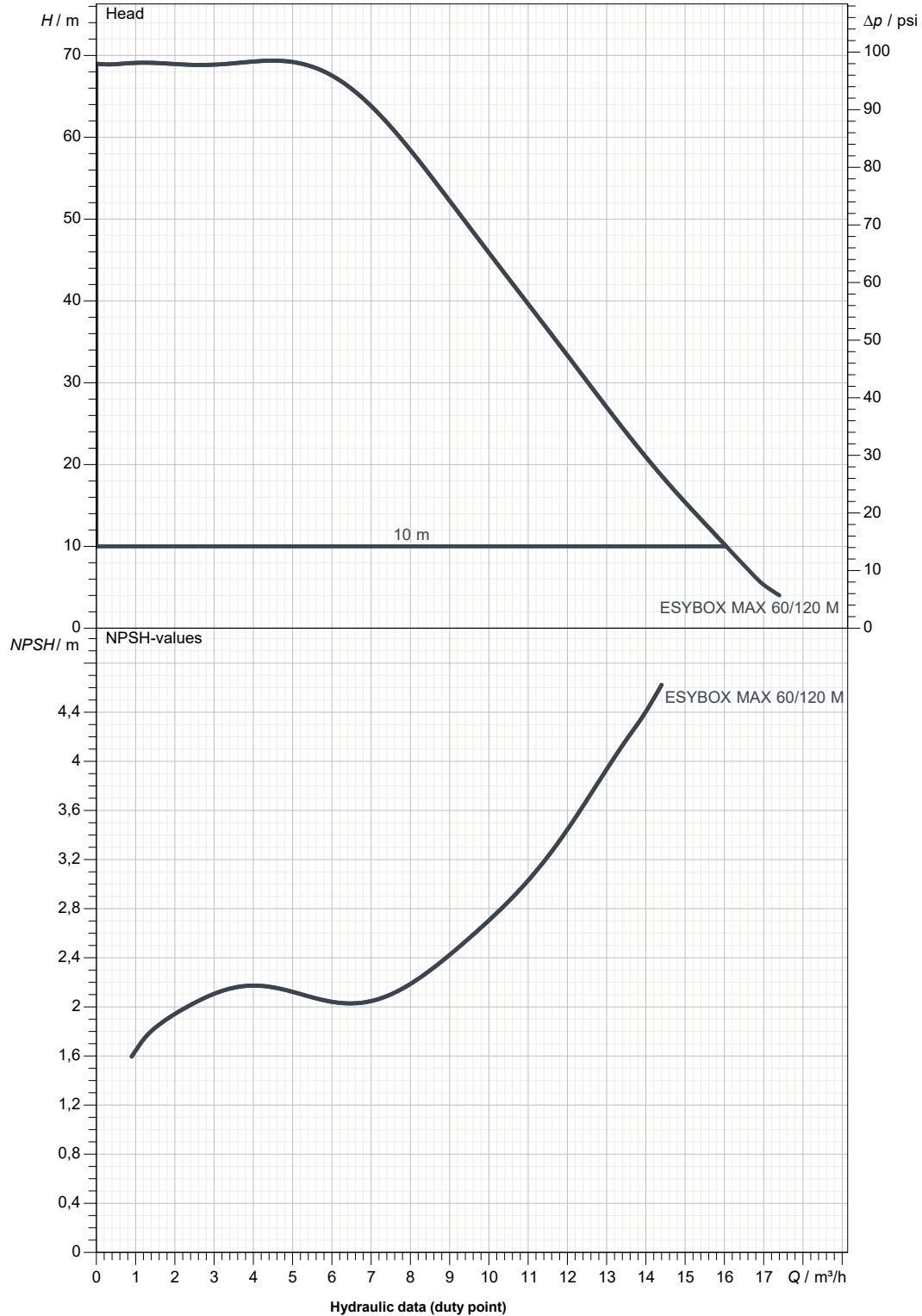
Receiver

From

Society  
Reference  
Address  
Phone  
Fax  
E-mail

## 1 ESYBOX MAX 60/120 M

Curve tolerance according to ISO 9906



Suction side :  
1"1/4 - 2" G  
174 psi

Discharge side :  
1"1/4 - 2" G  
174 psi

Flow :

Head :

Rated speed :  
5.240 1/min

MAIN\_PROJECT\_TITLE

BUSINESS\_PROCESS\_ID

OWNER\_

ISSUE\_DATE  
2022-08-19



# DIMENSIONAL DRAWING

DAB PUMPS S.p.A.  
Via Marco Polo, 14 - 35035 Mestrino (PD), Italy  
Tel. +39 049 5125000 - Fax +39 049 5125950  
www.dabpumps.com

2022-08-1€

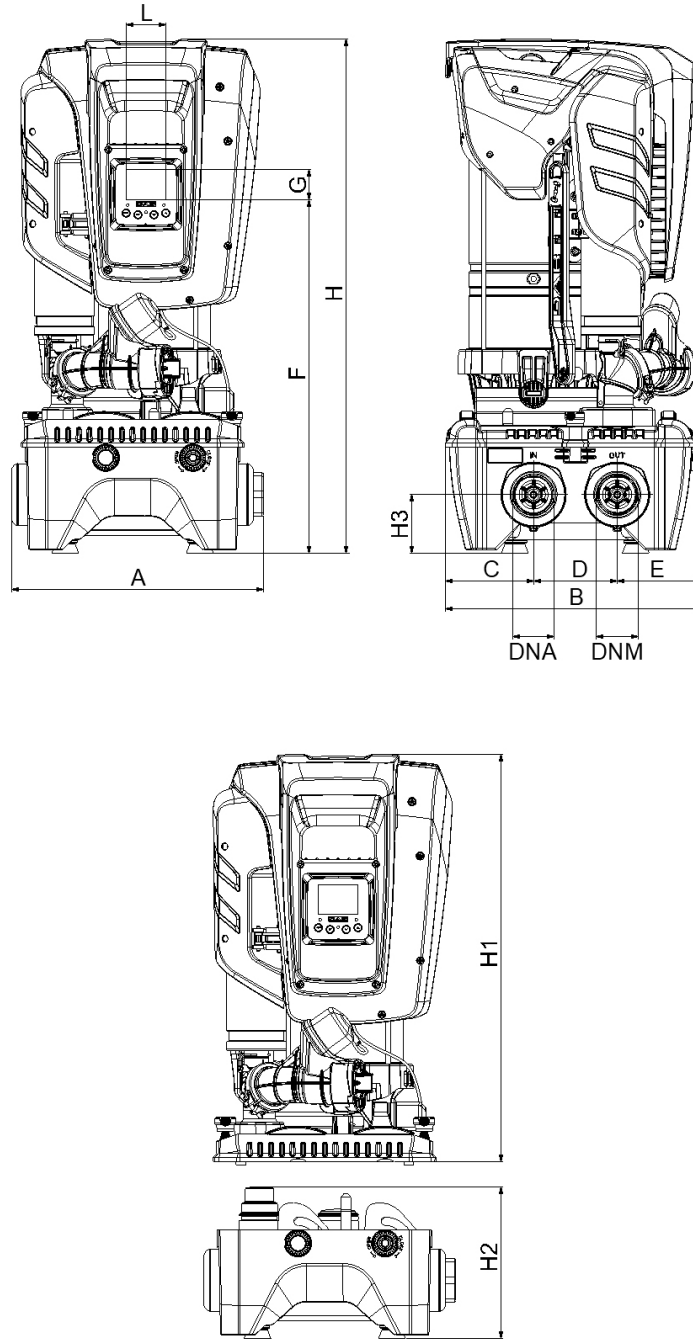
Page 4 / 4

Receiver

From

Society  
Reference  
Address  
Phone  
Fax  
E-mail

## 1 ESYBOX MAX 60/120 M



**Dimensions in mm**

**Pump connection**

1	A	375	H3	87	Suction 1"1/4 - 2" G 174 psi  Discharge 1"1/4 - 2" G 174 psi
2	B	384	L	59,5	
3	C	131,8			
4	D	124,5			
5	DNA	1"1/4 - 2"			
6	DNM	1"1/4 - 2"			
7	E	127,7			
8	F	526			
9	G	45			
10	H	766			
11	H1	613			
12	H2	228			

MAIN\_PROJECT\_TITLE

BUSINESS\_PROCESS\_ID

OWNER

ISSUE\_DATE

2022-08-19