

Receiver

From

Company
Reference
Address
Phone
Fax
E-mail

Item n° :

Customer pos. no.:

60195100

Model :

1 ESYBOX MAX 85/120 T

Pump data

Pressure rating : 174 psi
Constant pressure range : 14,5 - 174 psi (43,5 psi by default)
Min. fluid temperature : 0 °C
Max. fluid temperature : 50 °C
Max. Ambient temperature : 55 °C

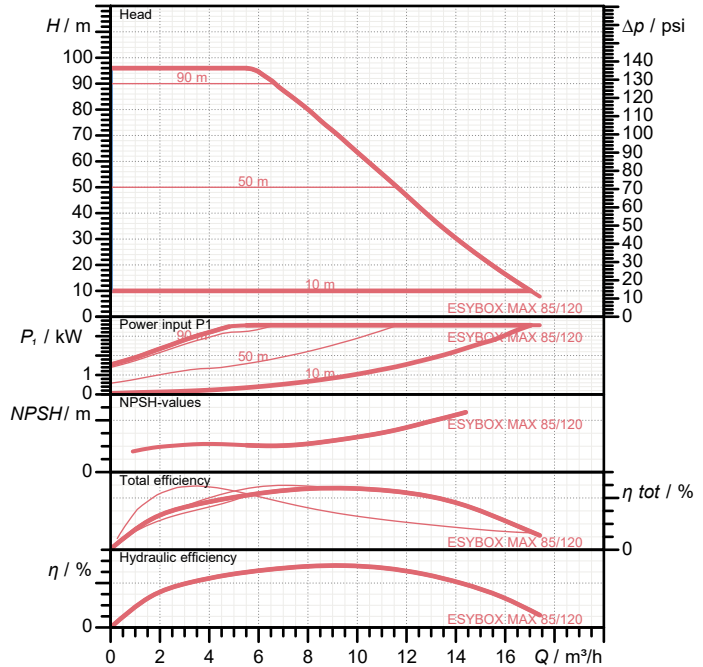
Requested data

Flow :
Head :
Fluid : Water
Fluid Temperature : 20 °C
Density : 998,3 kg/m³
Kinematic viscosity : 1,005 mm²/s
Vapor pressure : 0,34 psi

Materials

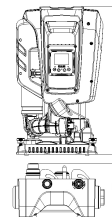
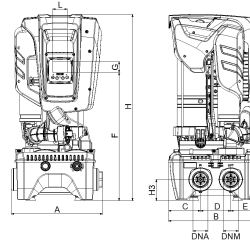
Fitting : Technopolymer PA66 30%GF
Manifold : Stainless Steel AISI 304
Flange : Technopolymer PA66 30%GF
Pump body : Technopolymer PA66 30%GF
Pump body ring : Technopolymer PP 30%GF
Impeller : Technopolymer PP 30%GF/AISI 304
Diffuser : Technopolymer PP 30%GF/AISI 304
Motor axis : Stainless Steel AISI 303
O-Ring : EPDM
Motor flange : Technopolymer PA66 30%GF
Mechanical seal : Impregnated carbon-resin/Silicon carbide/EPDM
Motor liner : Stainless Steel AISI 304
Motor body : Technopolymer PA66 30%GF
Conveyor tube : Technopolymer PP 30%GF
Pressure sensor : Nylon/EPDM
Non-return valve : POM/EPDM/AISI 302
Non-return valve body : Technopolymer PA66 30%GF
Tank : Noryl/Rubber
Delivery body : Technopolymer PA66 30%GF
Outer liner : Stainless Steel AISI 304

Curve tolerance according to ISO 9906



Hydraulic data (duty point)

Flow :
Head :



Dimensions in mm

A	375	G	45				
B	384	H	766				
C	131,8	H1	613				
D	124,5	H2	228				
E	127,7	H3	87				
F	526	L	59,5				

Weight : 39 kg

Pump connection

Suction side : 1"1/4 - 2" G / 174 psi
Discharge side : 1"1/4 - 2" G / 174 psi

Motor data

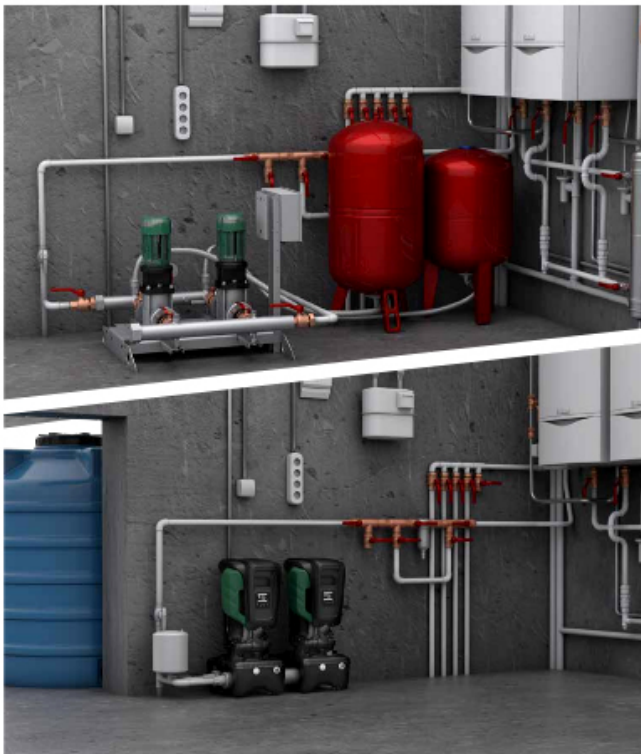
Power input P1 : 1 x 3,5 kW
Maximum speed : 5.350 1/min
Rated voltage : 3~ 380-460 V 50 Hz
Nominal current : 1 x 5,5 A
Degree of protection : IP X5

ENERGY SAVING

BEFORE

AFTER

- 20%
Compared with
traditional inverter pump



D+CONNECT
BUILT-IN

ANDROID APP ON
Google play

Download on the
App Store



As quick as a "click"

OSA
ON SITE ASSEMBLY





PERFORMANCE CURVES

2023-05-1€

Page 3 / 4

DAB PUMPS S.p.A.
Via Marco Polo, 14 - 35035 Mestrino (PD), Italy
Tel. +39 049 5125000 - Fax +39 049 5125950
www.dabpumps.com

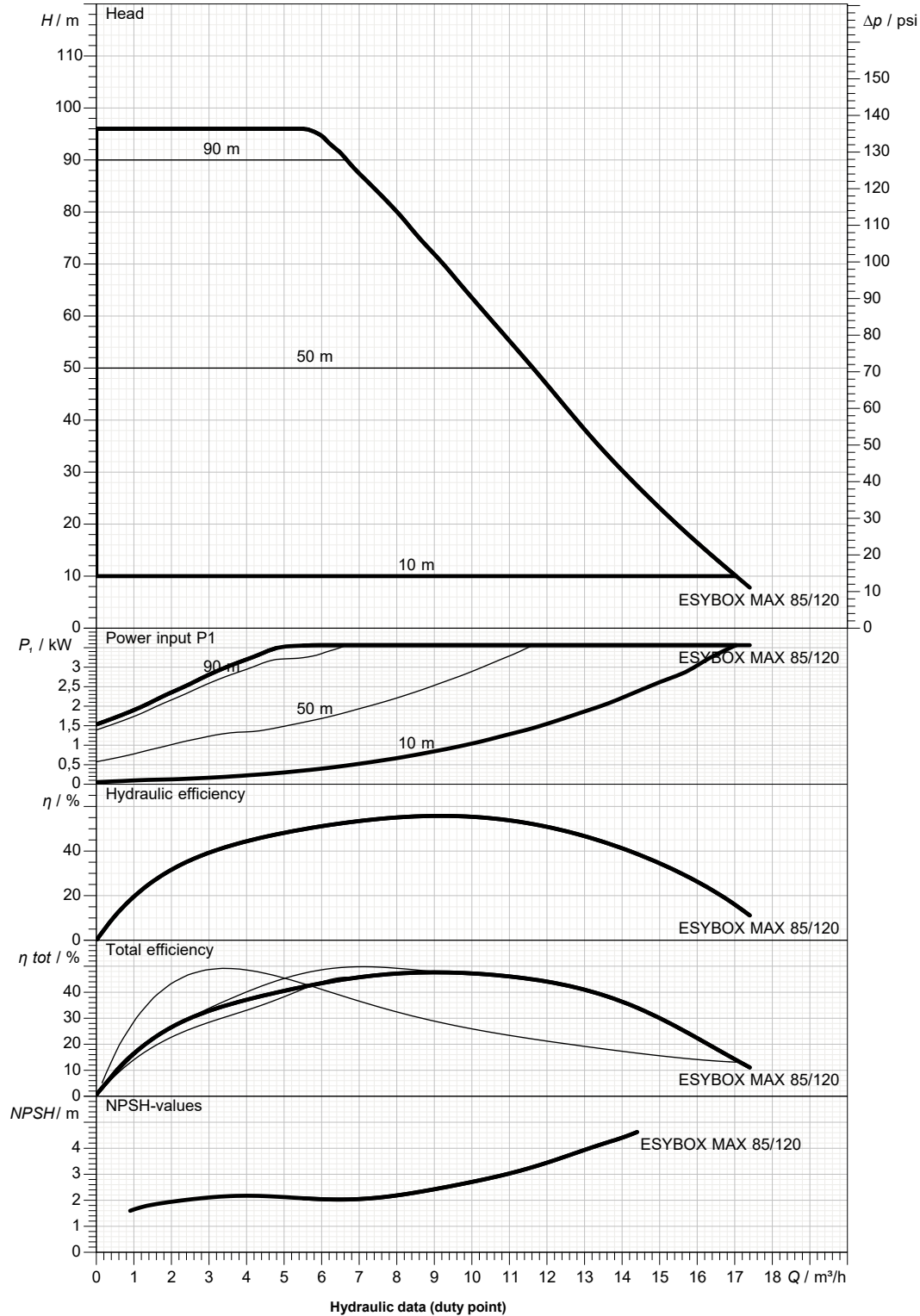
Receiver

From

Company
Reference
Address
Phone
Fax
E-mail

1 ESYBOX MAX 85/120 T

Curve tolerance according to ISO 9906



Suction side :
1"1/4 - 2" G
174 psi

Discharge side :
1"1/4 - 2" G
174 psi

Flow :

Head :

Rated speed :
5.350 1/min

MAIN_PROJECT_TITLE

BUSINESS_PROCESS_ID

OWNER_

ISSUE_DATE
2023-05-18



DIMENSIONAL DRAWING

2023-05-1€

Page 4 / 4

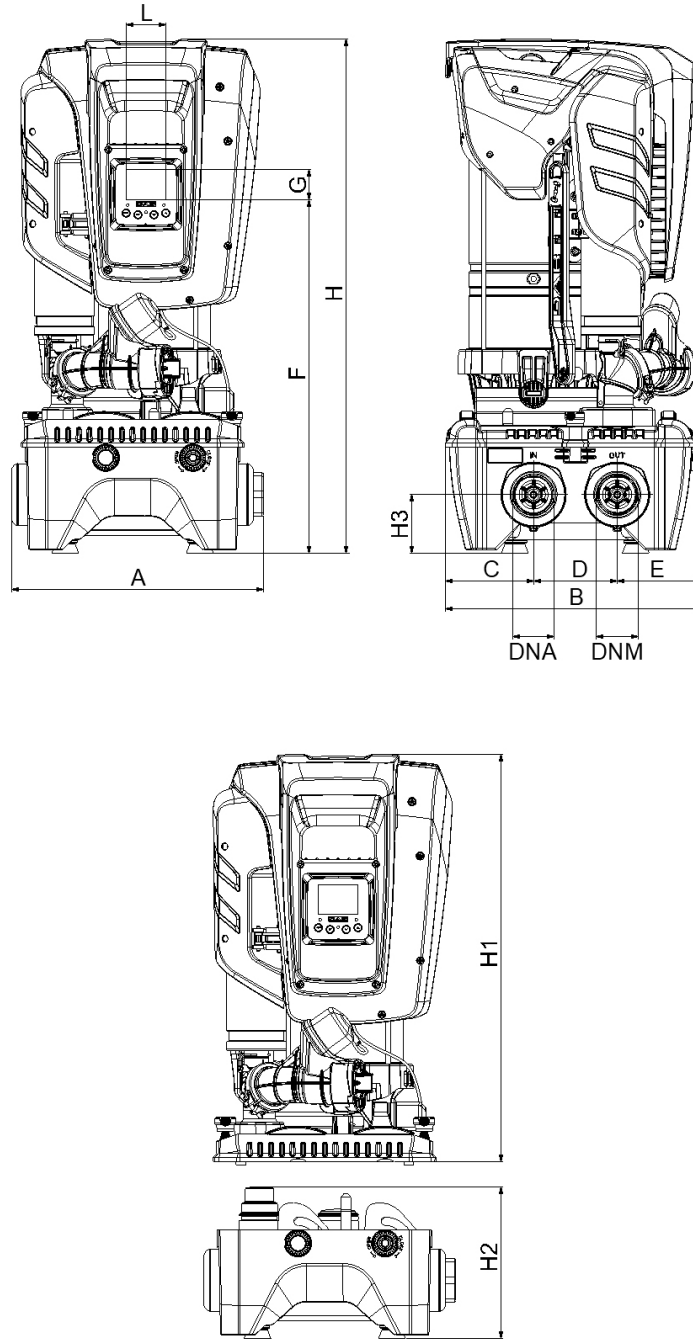
DAB PUMPS S.p.A.
Via Marco Polo, 14 - 35035 Mestrino (PD), Italy
Tel. +39 049 5125000 - Fax +39 049 5125950
www.dabpumps.com

Receiver

From

Company
Reference
Address
Phone
Fax
E-mail

1 ESYBOX MAX 85/120 T



Dimensions in mm

Pump connection

1	A	375	L	59,5		
2	B	384				
3	C	131,8				Suction
4	D	124,5				1"1/4 - 2" G
5	E	127,7				174 psi
6	F	526				
7	G	45				Discharge
8	H	766				1"1/4 - 2" G
9	H1	613				174 psi
10	H2	228				
11	H3	87				

MAIN_PROJECT_TITLE

BUSINESS_PROCESS_ID

OWNER

ISSUE_DATE

2023-05-18