

Receiver

 Company
 Reference
 Address
 Phone
 Fax
 E-mail

From
Item n° :
 60179859

Customer pos. no.:
Model :
 K 90/100 T IE3

Pump data

MEI ≥

 Pressure rating : 174 psi
 Min. fluid temperature : -15 °C
 Max. fluid temperature : 110 °C
 Max. Ambient temperature : 40 °C

Requested data

 Flow :
 Head :
 Fluid : Water
 Fluid Temperature : 20 °C
 Density : 998,3 kg/m³
 Kinematic viscosity : 1,005 mm²/s
 Vapor pressure : 0,34 psi

Hydraulic data (duty point)

 Flow :
 Head :
 NPSH :
 Shaft power P₂ :
 Efficiency :

Materials

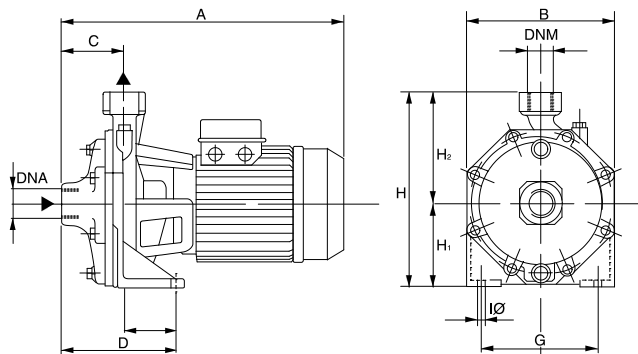
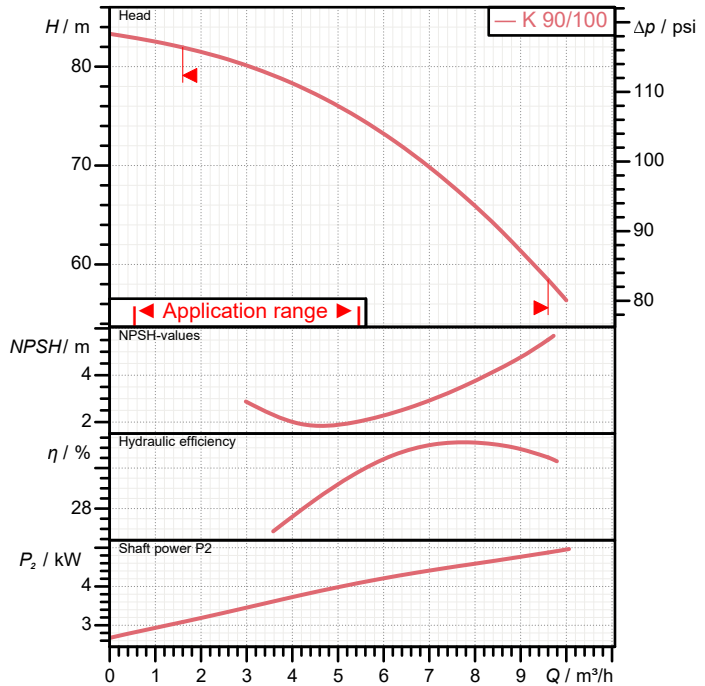
 Pump body : Cast iron 200 UNI ISO 185
 Support : Cast iron 200 UNI ISO 185
 Impeller : Technopolymer B
 Mechanical seal : Carbon/Ceramic
 O-Ring : Guarnital
 Shaft with rotor : AISI 303 X10 CrNiS 1809 UNI 6900/71
 Intermediate cover : Cast iron 200 UNI ISO 185

Motor data

 Motor brand : DAB
 Nominal power P₂ : 4 kW
 Rated speed : 2.850 1/min
 Rated voltage : 3~ 230 V 50 Hz
 Nominal current : 16,5 A
 Degree of protection : IP 55

Pump connection

 Suction side : 1" 1/2 G / 174 psi
 Discharge side : 1" G / 174 psi

Curve tolerance according to ISO 9906

Weight : 44 kg

Dimensions in mm

| | |
|-----|---------|
| A | 450 |
| B | 256 |
| C | 88 |
| D | 160 |
| DNA | 1"1/2 G |
| DNM | 1" G |
| E | 72 |
| F | 18 |
| G | 200 |
| H | 312,5 |
| H1 | 140 |
| H2 | 172,5 |
| IØ | 14 |



PERFORMANCE CURVES

2023-05-1€

Page 2 / 3

DAB PUMPS S.p.A.
Via Marco Polo, 14 - 35035 Mestrino (PD), Italy
Tel. +39 049 5125000 - Fax +39 049 5125950
www.dabpumps.com

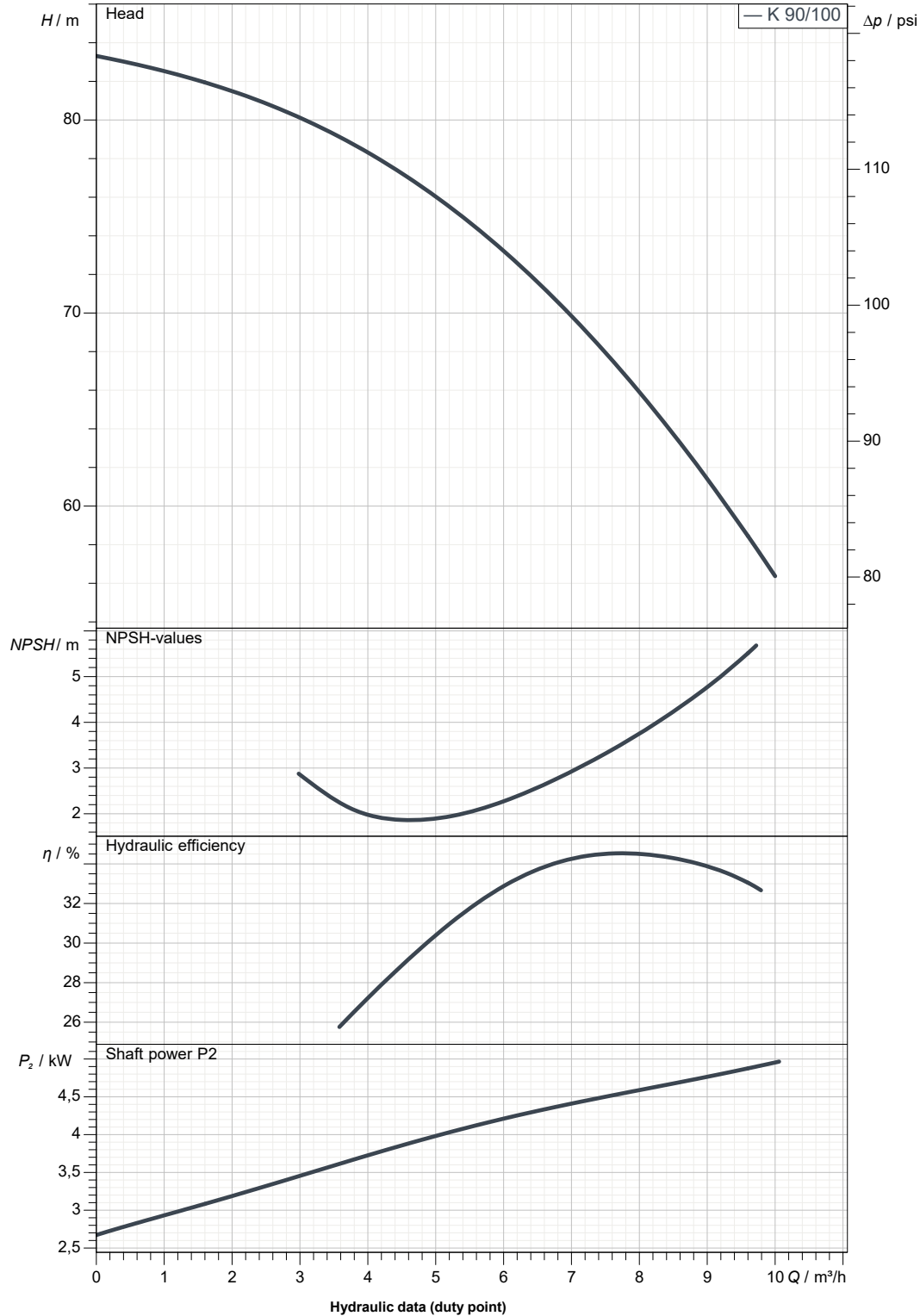
Receiver

From

Company
Reference
Address
Phone
Fax
E-mail

K 90/100 T IE3

Curve tolerance according to ISO 9906



Suction side :
1" 1/2 G
174 psi

Discharge side :
1" G
174 psi

Flow :

Head :

Rated speed :
2.850 1/min

MAIN_PROJECT_TITLE

BUSINESS_PROCESS_IE

OWNER_

ISSUE_DATE
2023-05-18



DIMENSIONAL DRAWING

2023-05-18

Page 3 / 3

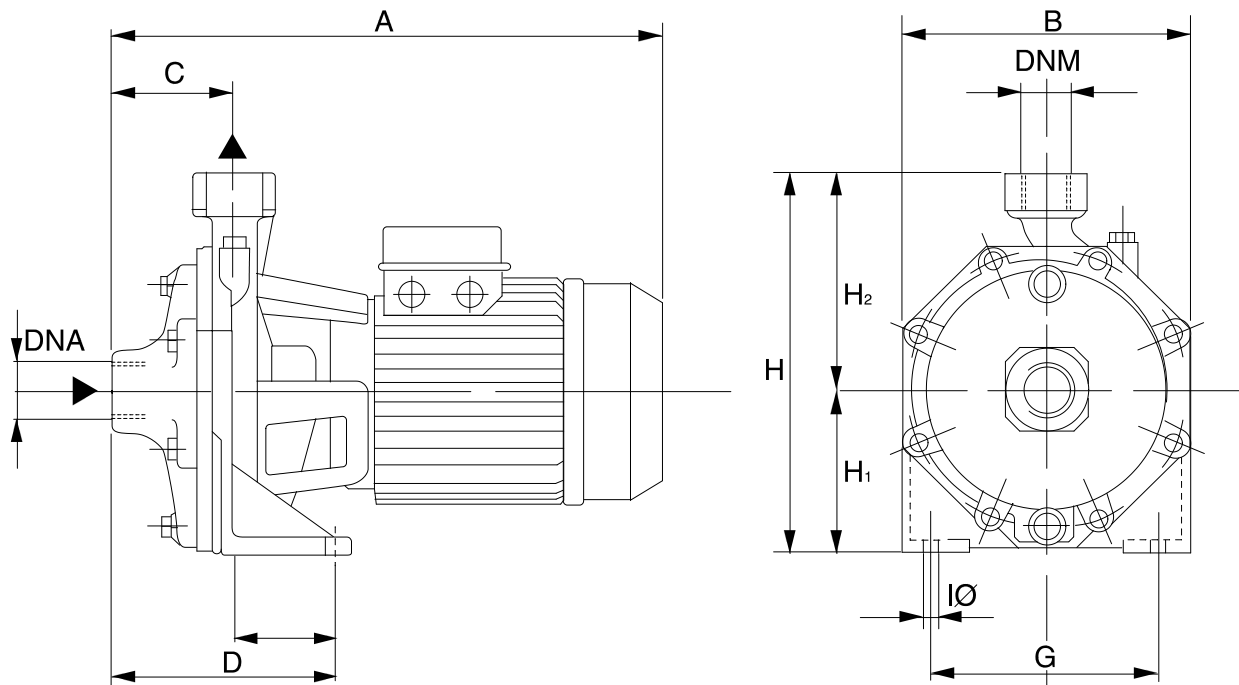
DAB PUMPS S.p.A.
Via Marco Polo, 14 - 35035 Mestrino (PD), Italy
Tel. +39 049 5125000 - Fax +39 049 5125950
www.dabpumps.com

Receiver

From

Company
Reference
Address
Phone
Fax
E-mail

K 90/100 T IE3



| Dimensions in mm | | | | | | Pump connection |
|------------------|----------------|---------|----------------|-------|--|--|
| 1 | A | 450 | H ₂ | 172,5 | | Suction 1" 1/2 G 174 psi Discharge 1" G 174 psi |
| 2 | B | 256 | Ø | 14 | | |
| 3 | C | 88 | | | | |
| 4 | D | 160 | | | | |
| 5 | DNA | 1"1/2 G | | | | |
| 6 | DNM | 1" G | | | | |
| 7 | E | 72 | | | | |
| 8 | F | 18 | | | | |
| 9 | G | 200 | | | | |
| 10 | H | 312,5 | | | | |
| 11 | H ₁ | 140 | | | | |

| | | | |
|--------------------|---------------------|-------|---------------------------------|
| MAIN_PROJECT_TITLE | BUSINESS_PROCESS_ID | OWNER | ISSUE_DATE 2023-05-18 |
|--------------------|---------------------|-------|---------------------------------|