

D15-11 Automatic waste and overflow set for double bowl
 Finish: **Stainless Steel** Article Number: **43932800**

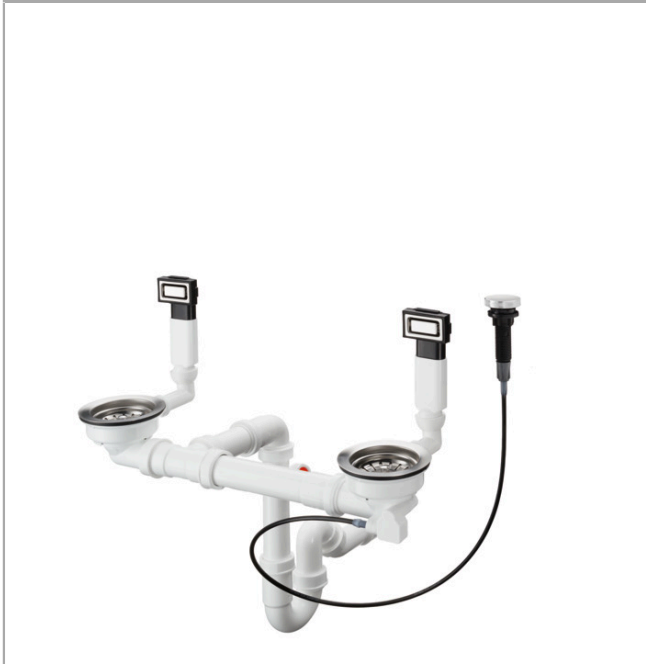


Description

product features

- turning handle for eccentric operation in chrome
- consists of: waste and overflow set, pop-up waste set, trap
- drain system: drain operation of main bowl via turning pop-up handle and additional bowl via pushing/pulling screen basket
- diameter 40 / 50
- 1 1/2" with space-saving drain pipe and odor trap
- screen basket: 3 1/2"

Product image

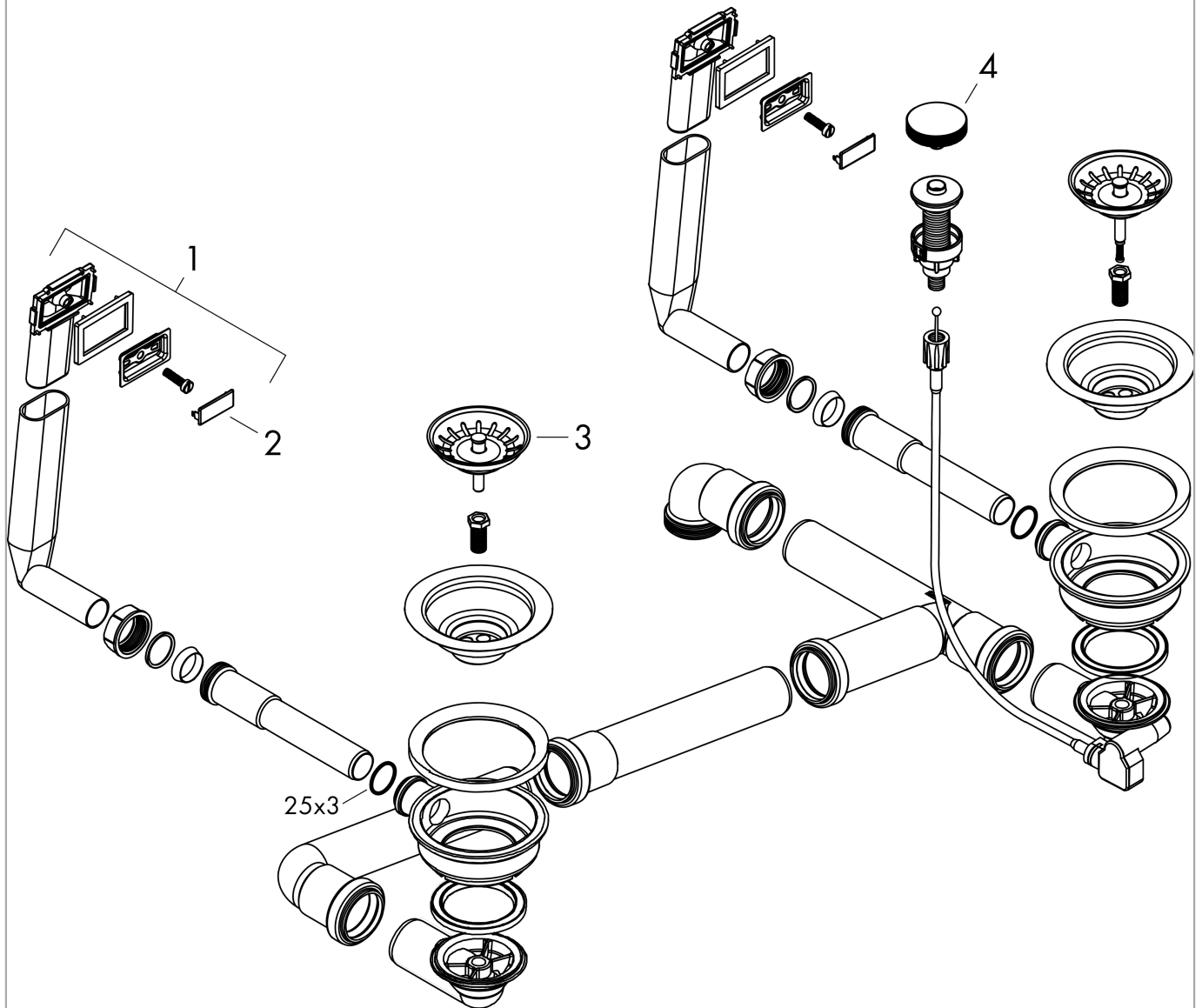


D15-11 Automatic waste and overflow set for double bowl
 Finish: **Stainless Steel** Article Number: **43932800**



Exploded Drawing

Year of production: >09/19



D15-11 Automatic waste and overflow set for double bowl
 Finish: **Stainless Steel** Article Number: **43932800**



Spare part list

Year of production: >09/19

Pos.	Description	Article Number	PC	PU
1	waste	94750800	0	1
2	cover	93514800	1	1
3	plug	93472800	11	1
4	turning handle	40953800	99	1