

## Design trap Flowstar S

Finish: **Brushed Black Chrome** Article Number: **52105340**



### Description

#### product features

- adjustment distance 60 - 165 mm
- distance to wall 330 mm
- odour trap - backwater height is 75 mm
- connection dimension entry: G 1¼
- connection dimension outlet: DN32

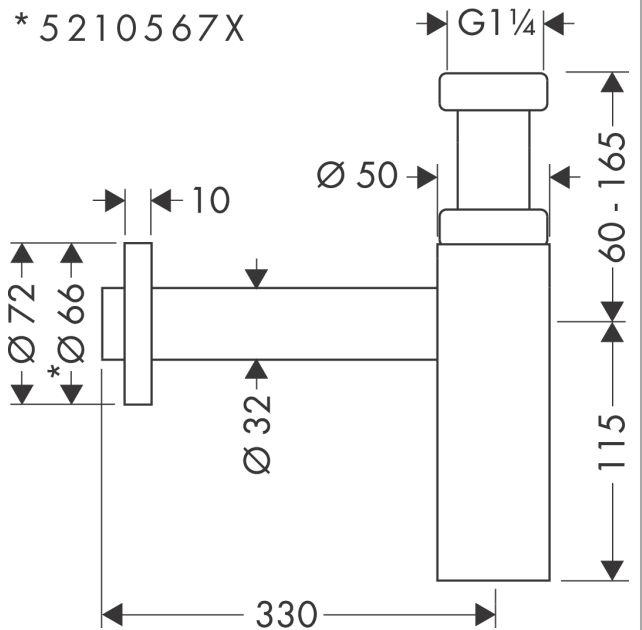
### Design awards



### Product image



### Scale drawing



**Design trap Flowstar S**

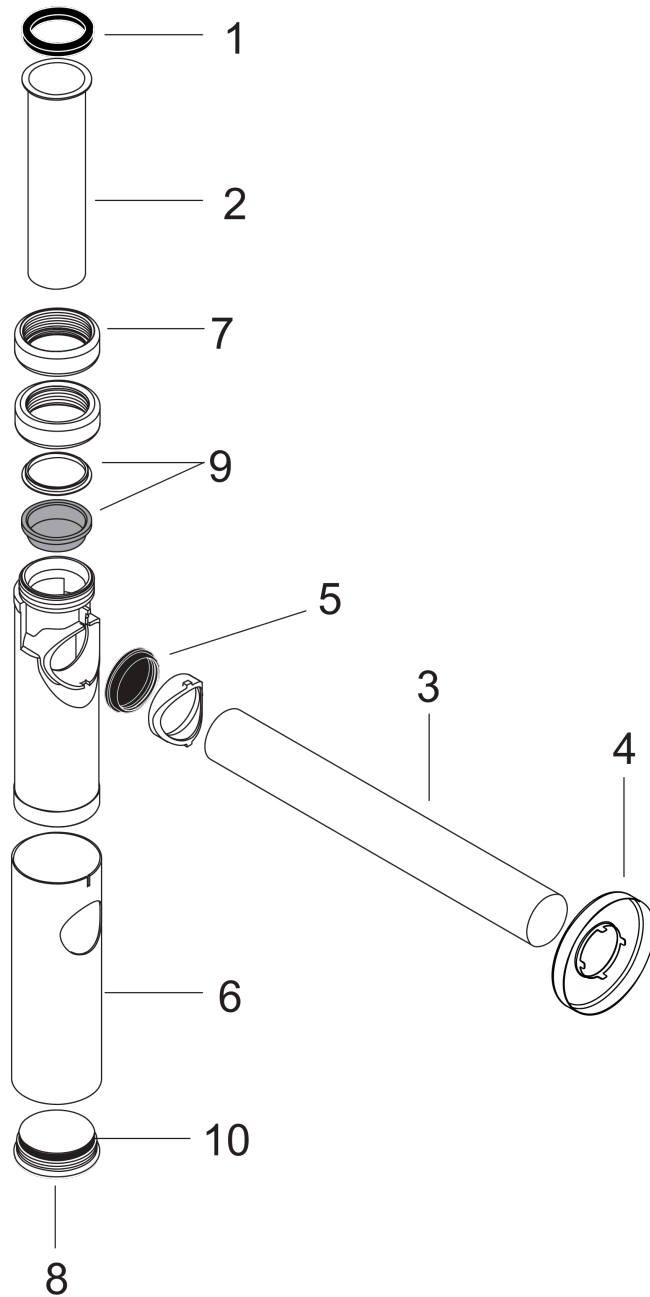
Finish: **Brushed Black Chrome**

Article Number: **52105340**



**Exploded Drawing**

Year of production: >11/16



## Design trap Flowstar S

Finish: **Brushed Black Chrome**

Article Number: **52105340**



### Spare part list

Year of production: >11/16

Pos.	Description	Article Number	PC	PU
1	seal 1¼"	53971000	1	1
2	sleeve pipe 1¼" 150 mm	96420340	55	1
3	wall pipe 1¼" 500 mm	53493340	99	1
4	escutcheon	96490340	56	1
5	sealed box	96487000	1	1
6	sleeve	96554340	99	1
7	sleeve nut	97702340	99	1
8	plug	97258000	6	1
9	wedge-shaped seal 1¼"	97701000	2	1
10	O-ring 38x2,5	98198000	2	1
a	pipe 1¼" 300 mm	53428340	56	1