

**Vernis Shape**  
**Single lever bath mixer for concealed installation for iBox universal**  
 Finish: **Chrome** Article Number: **71468000**



## Description

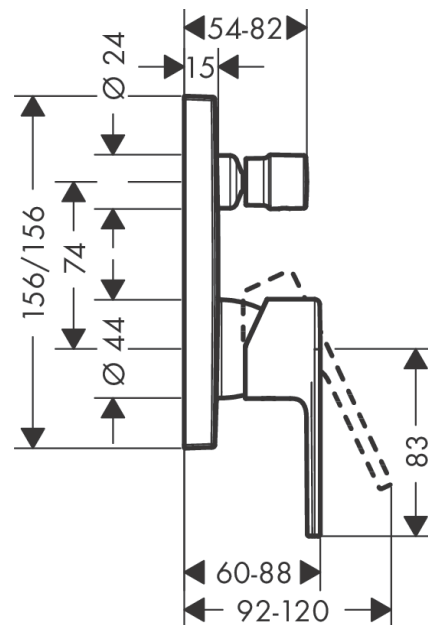
### product features

- 2 functions
- flow rate upper outlet: 21 l/min
- flow rate lower outlet: 29 l/min
- maximum flow rate at 3 bar: 29 l/min
- ceramic cartridge
- temperature limitation adjustable
- diverter with automatic resetting
- suitable for continuous flow water heaters
- connection type: basic set
- min. operating pressure: 1 bar
- max. operating pressure: 10 bar

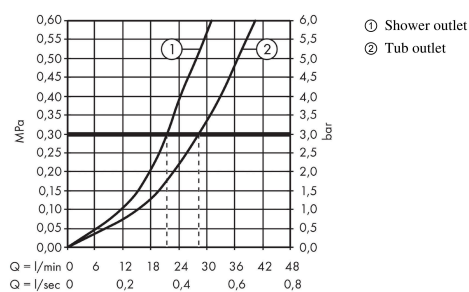
## Product image



## Scale drawing



## Flowchart

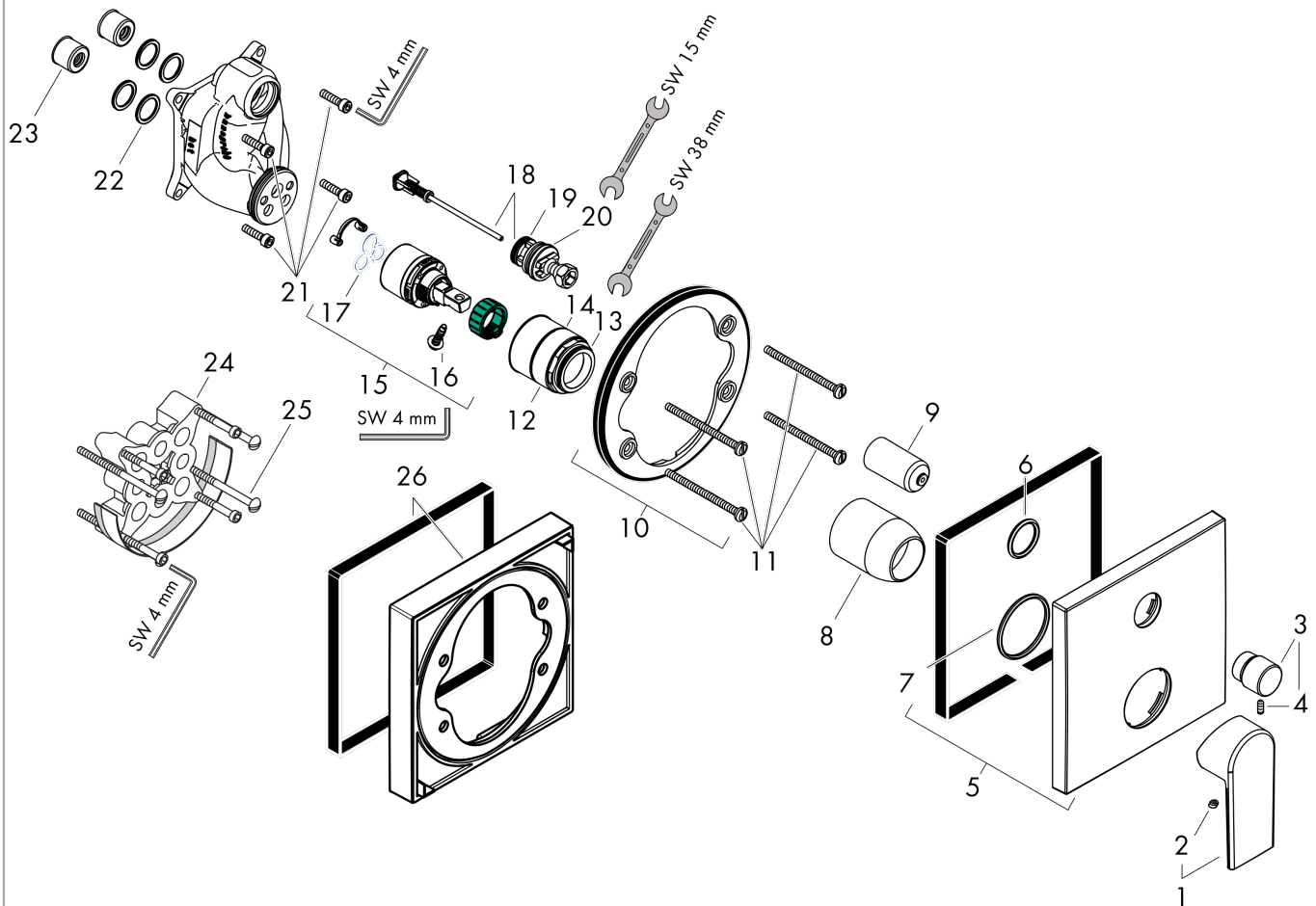


**Vernis Shape**  
**Single lever bath mixer for concealed installation for iBox universal**  
 Finish: **Chrome** Article Number: **71468000**



**Exploded Drawing**

Year of production: >04/21



## Vernis Shape

Single lever bath mixer for concealed installation for iBox universal

Finish: **Chrome** Article Number: **71468000**



### Spare part list

Year of production: >04/21

Pos.	Description	Article Number	PC	PU
1	handle	93719000	9	1
2	screw cover	96338000	1	1
3	diverter knob	98795000	10	1
4	hollow set screw M4x10	97667000	1	1
5	escutcheon 155 / 155 mm	94302000	12	1
6	O-ring 43x3	98418000	1	1
7	O-ring 23x3	98142000	1	1
8	sleeve	98790000	8	1
9	sleeve	98794000	8	1
10	holder for escutcheon	98793000	9	1
11	set of fixing screws	96454000	3	1
12	nut	98796000	9	1
13	O-ring 30x1,5	98433000	1	1
14	O-ring 39x1,5	98400000	1	1
15	cartridge, assy	92730000	11	1
16	locking screw for handle	95140000	2	1
17	seal	95008000	3	1
18	selector assy	95014000	11	1
19	O-ring 16x2,3	98207000	1	1
20	O-ring 20x2,5	92602000	2	1
21	set of screws	96525000	3	1
22	O-ring 16x2	98133000	1	1
23	noise reduction	94073000	7	1
24	extension 25 mm	13595000	99	1
25	set of fixing screws	97747000	1	1
26	extension 22 mm	13593000	99	1
a	concealed item	01800180	99	1
b	fixation set	96615000	99	1