

DOCOLETRIC LAVATORY BASIN TAP

00218106

DESCRIPTION

Faucet with vertical inlet for installation on the table and automatic activation of water flow through the approximation of hands in the field detection sensor.

TECHNOLOGY AND CHARACTERISTICS



DocoSensor DocoElectric WaveSci Aerator Bi-nickel Chrome



ADVANTAGES

The On/Off Tap is ideal for locations where absolute hygiene is indispensable.

The size and the curvature of the spout feature a 36 centimeters height, making it more comfortable to sanitize the hands and forearms.

Developed employing advanced technology, the water flow of the tap is automatically activated, when the hands approach the sensor detection field and turns off when there is a new approach or after 90 seconds of continual flow.

Besides providing more comfort and hygiene, the On/Off tap is extremely resistant and long-lasting.

It is coated with bi-nickel chrome plating, supplying great durability and increased resistance to corrosion, maintaining the beauty and the glossiness of the product much longer

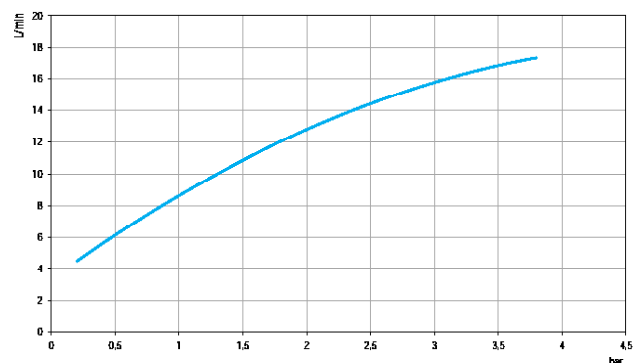
TECHNICAL SPECIFICATION

PRESSURE CLASS OF	0,2 - 4 Bar
GAUGE	1/2" (DN15)
COMPOSITION	Copper alloy, plastic Elastomers, electrical and stainless steel components engineering.
MAXIMUM WATER TEMPERATURE	40°C
COMPLEMENT	Accompany Flow Regulator Registry (FRR).
OTHER FEATURES	The delay time for closing the solenoid valve: 3 seconds
	The maximum continuous transmission: 60 seconds
	Input voltage: 100 - 240VAC
	Output voltage: 12.8 ± 5%VDC
	Frequency: 50 - 60Hz
	Power: 6 W
	Current: 185mA
Leakage current: 0.06 mA (maximum)	
Dielectric insulation: 3kV / 60's	

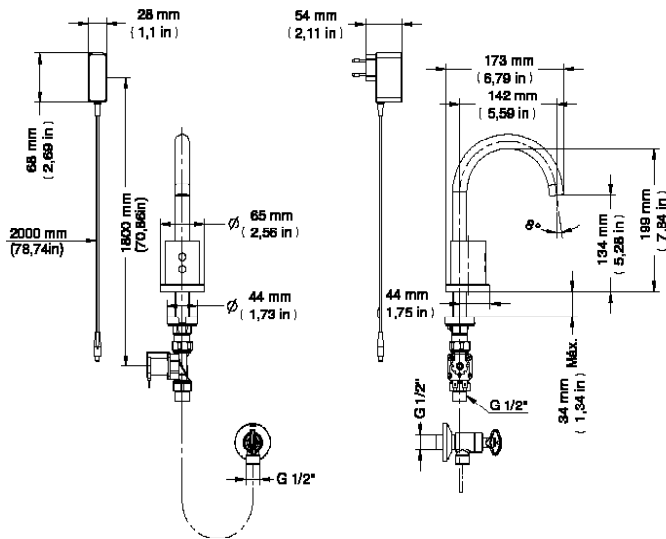
WARRANTY

Call Docol Authorized Distributor in your country

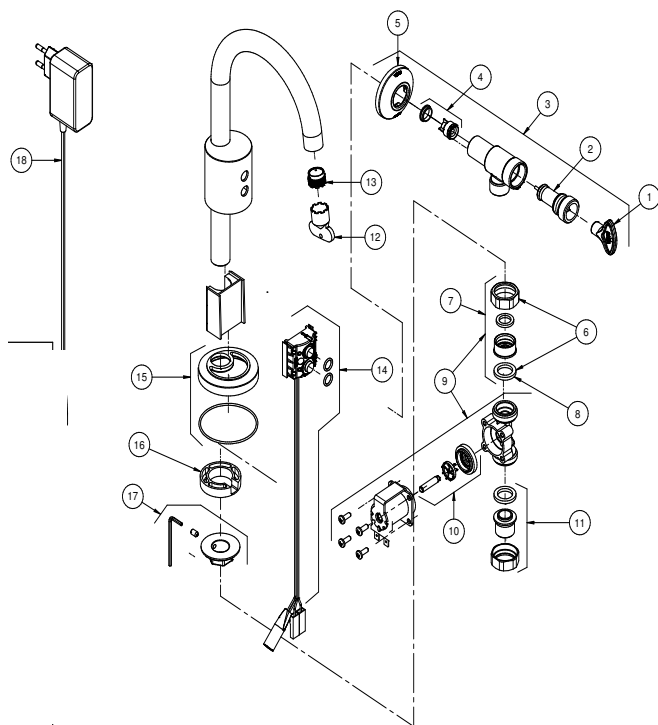
FLOW CURVE



DIMENSIONS



SPARE PARTS



POS	CÓDIGO	DENOMINAÇÃO
1	20992100	KIT CHAVE AR
2	00065600	KIT PORTA FILTRO M24
3	13030023	REGISTRO REGULADOR DE VAZAO AR - ABS
4	00026700	KIT VAL C RRV
5	00027300	KIT CAN (0)52X(0)20,5X12
6	00069706	KIT PORCA FIX R3/4
7	00067800	KIT PORCA UNIAO R3/4X1/2
8	00428100	KIT ANEL RET (0)23
9	00240100	KIT VAL SOL DOCOLELETRIC
10	00488400	KIT DIAFRAGMA/PILOTO VAL SOL DOCOLELETRIC
11	00067900	KIT TERMINAL R1/2
12	00417600	KIT CHAVE AREJADOR CACHE TJ
13	00402500	KIT AREJADOR CACHE TJ
14	00487900	KIT SENSOR MINI DOCOLELETRIC
15	00254206	KIT CAN TOR DOCOLELETRIC
16	00066100	KIT ANEL PASSAGEM (0)44
17	00511700	FIXADOR AV P/ TORNEIRA DE MESA
18	00776800	KIT FONTE DOCOLELETRIC - WALL PLUG

WANT YOU KNOW MORE?
REFER TO THE INSTALLATION
MANUAL IN OUR WEBSITE.