

Long faucet 1158 Trio

Code 00534606 - Chrome

DESCRIPTION

The main benefit of this product is its durability and strength. With our laundry faucet, you can install it without worrying about immediate wear and tear. During the manufacturing process, products receive a double layer of nickel, which guarantees 4% greater durability than other products on the market. Like other Docol products, each item in this line is also tested before it leaves the factory, precisely to ensure that the product that reaches your home is durable for a lifetime.



TECHNOLOGY AND CHARACTERISTICS



Bi-nickel
Chrome

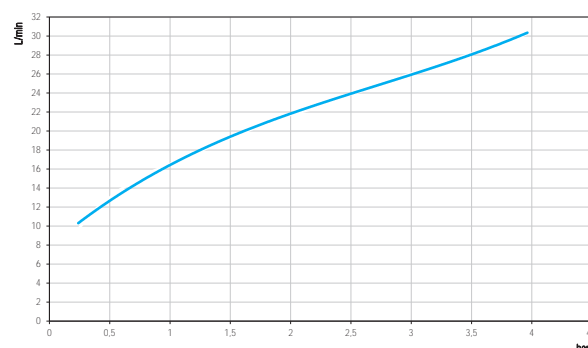


High
durability

ADVANTAGES

e plated, providing long-lasting durability and higher resistance to corrosion, maintaining the product beautiful and glossy much longer.

FLOW CURVE



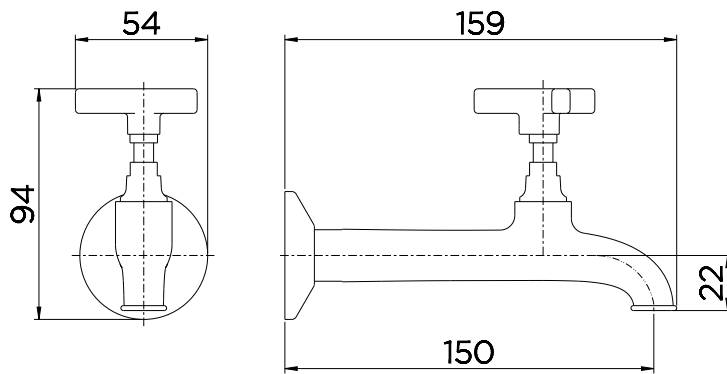
WARRANTY

Call Docol Authorized Distributor in your country.

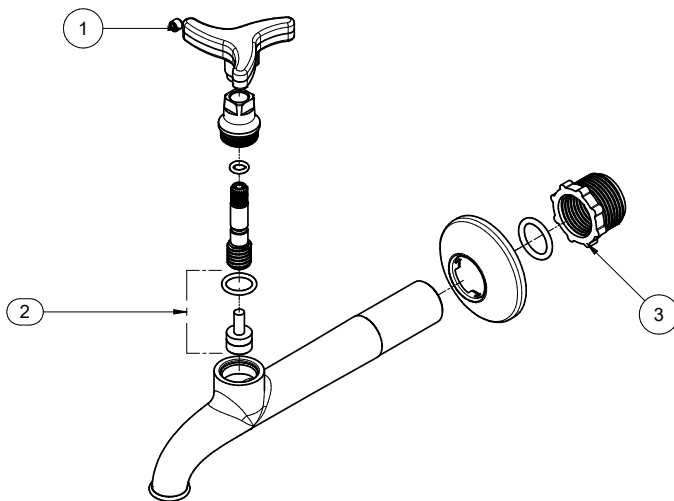
TECHNICAL SPECIFICATIONS

OPENING SYSTEM	Rotating
AERATOR	no aerator
GAUGE	1/2" - DN 15
CLASS OF PRESSURE	from 0,2 to 4 kgf/cm ² or from 3 to 57 psi
MAXIMUM WATER TEMPERATURE	70°C
STANDARD	NBR 10281
PACKAGE CONTENT	1 tap, 1 canopy and 1 reduction nut
COMPOSITION	Copper alloys, Engineering plastic, Zamac (zinc alloys - aluminum - magnesium - copper)
SPOUT MODE	Fixed
ACTION	Cross Handle
INSTALLATION TYPE	Wall

DIMENSIONS



SPARE PARTS



POS.	CODIGO	DENOMINAÇÃO
1	00528800	KIT PARAF S/CAB SEXT INT M5X5
2	00269100	KIT VED TOR PERTUTTI
3	00528200	KIT NIPLE RED 3/4X1/2

WANT YOU KNOW MORE?

REFER TO THE INSTALLATION MANUAL
IN OUR WEBSITE.