

Pertutti Long Tap 1158

Code 00903606 - Chrome

DESCRIPTION

The main benefit of this product is the durability and resistance. With our laundry faucet, you can install it without worrying about immediate wear and tear. The design of this product was designed to provide the best experience with water. The spout design takes the water exactly to the center of the bowl and the handwheel makes the handle easier. In addition, it is a beautiful and modern product to compose any environment.



TECHNOLOGY AND CHARACTERISTICS



ADVANTAGES

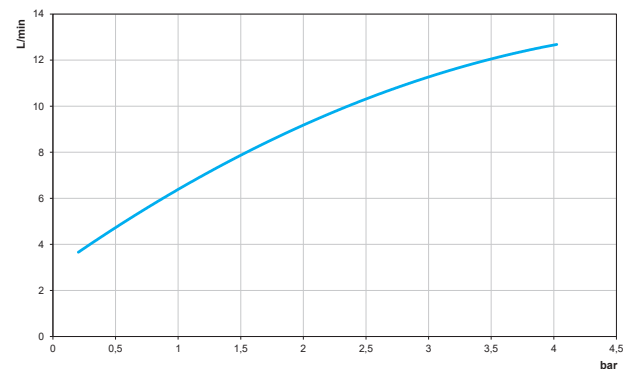
1/4 turn taps and mixers of the line for precision and smoothness when opening and closing.

The embedded aerator, besides providing guaranteed savings on water, it is more comfortable to handle and avoids splashing, making the visual appearance of the spout cleaner.

Cartridge with ceramic seal has the main benefit of durability and safety during use. With this product, your installation has more resistance and guaranteed operation, avoiding recurring damage.

Bi-nickel chrome plated, providing long-lasting durability and higher resistance to corrosion, maintaining the product beautiful and glossy much longer.

FLOW CURVE



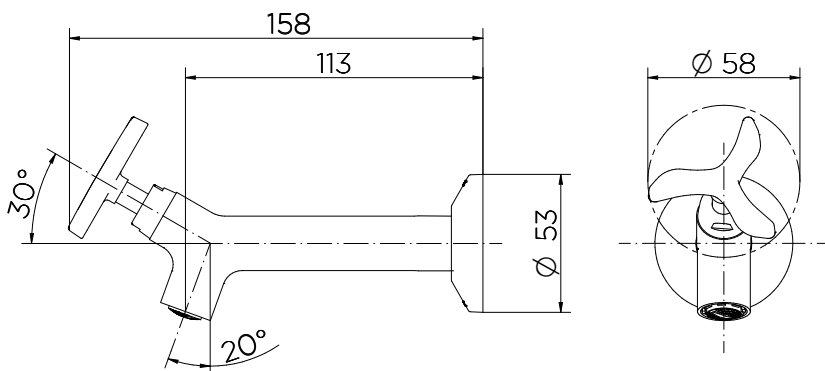
WARRANTY

Call Docol Authorized Distributor in your country.

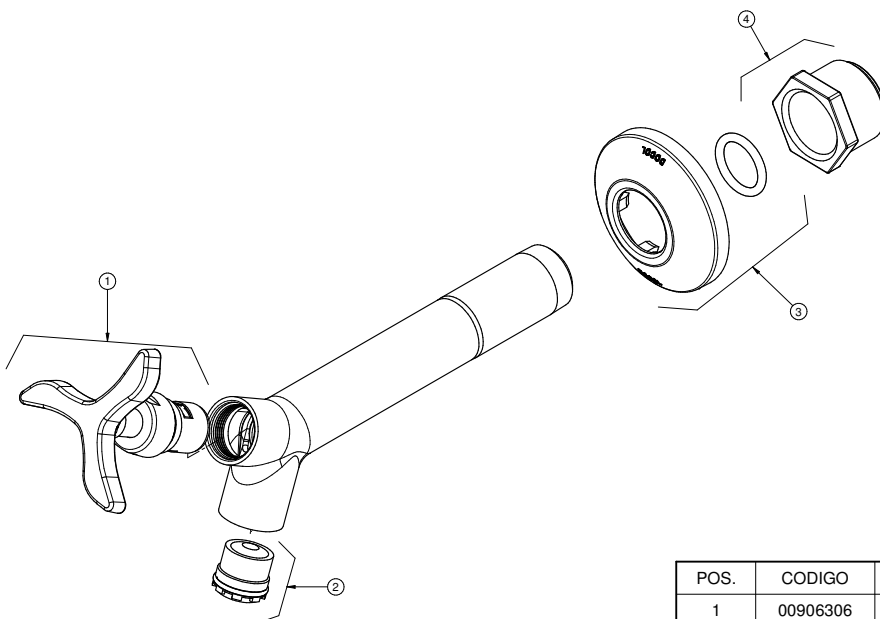
TECHNICAL SPECIFICATIONS

OPENING SYSTEM	1/4 turn activation
AERATOR	Embedded aerator
GAUGE	1/2" - DN 15, 3/4" - DN 20
CLASS OF PRESSURE	from 0,2 to 4 kgf/cm ² or from 3 to 57 psi
MAXIMUM WATER TEMPERATURE	70°C
STANDARD	NBR 10281
PACKAGE CONTENT	1 Tap, 1 Escutcheon and 1 Adapter
COMPOSITION	Copper alloys, elastomers, engineering plastics and zamac (zinc, aluminium, magnesium and copper alloys)
SPOUT MODE	Fixed Spout
ACTIVATION	Cross Handle
INSTALLATION TYPE	Wall

DIMENSIONS



SPARE PARTS



POS.	CODIGO	DENONINAÇÃO
1	00906306	KIT CARTUCHO CERAM COMPL PERTUTTI CR
2	00627800	KIT AREJADOR EMB TT CS
3	00113206	KIT CAN TOR COZ PA DELIC CR
4	00931800	KIT NIPLE RED 3/4 X RC1/2

WANT YOU KNOW MORE?

REFER TO THE INSTALLATION MANUAL
IN OUR WEBSITE.