

Logis M32

2-handle kitchen mixer 220, 1jet

Surfaces: **Chrome** Article Number: **71285000**



Description

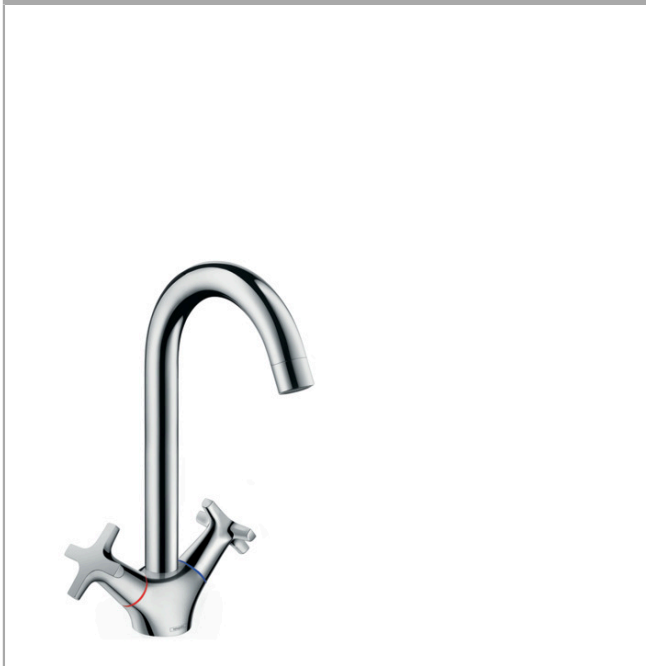
product features

- ComfortZone 220
- swivel range adjustable in 3 steps 110°, 150° or 360°
- normal spray
- connection dimension: DN15
- maximum flow rate at 3 bar: 12 l/min
- ceramic valves 90°
- connection type: G 3/8 connections
- suitable for continuous flow water heaters

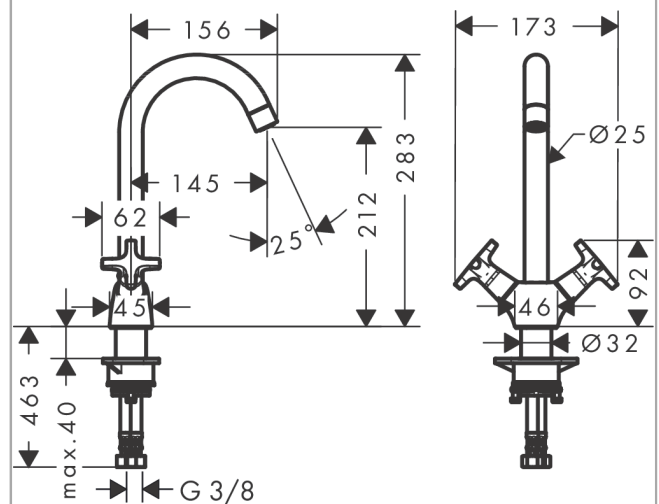
Technology



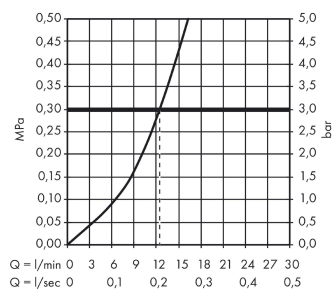
Product image



Scale drawing



Flowchart

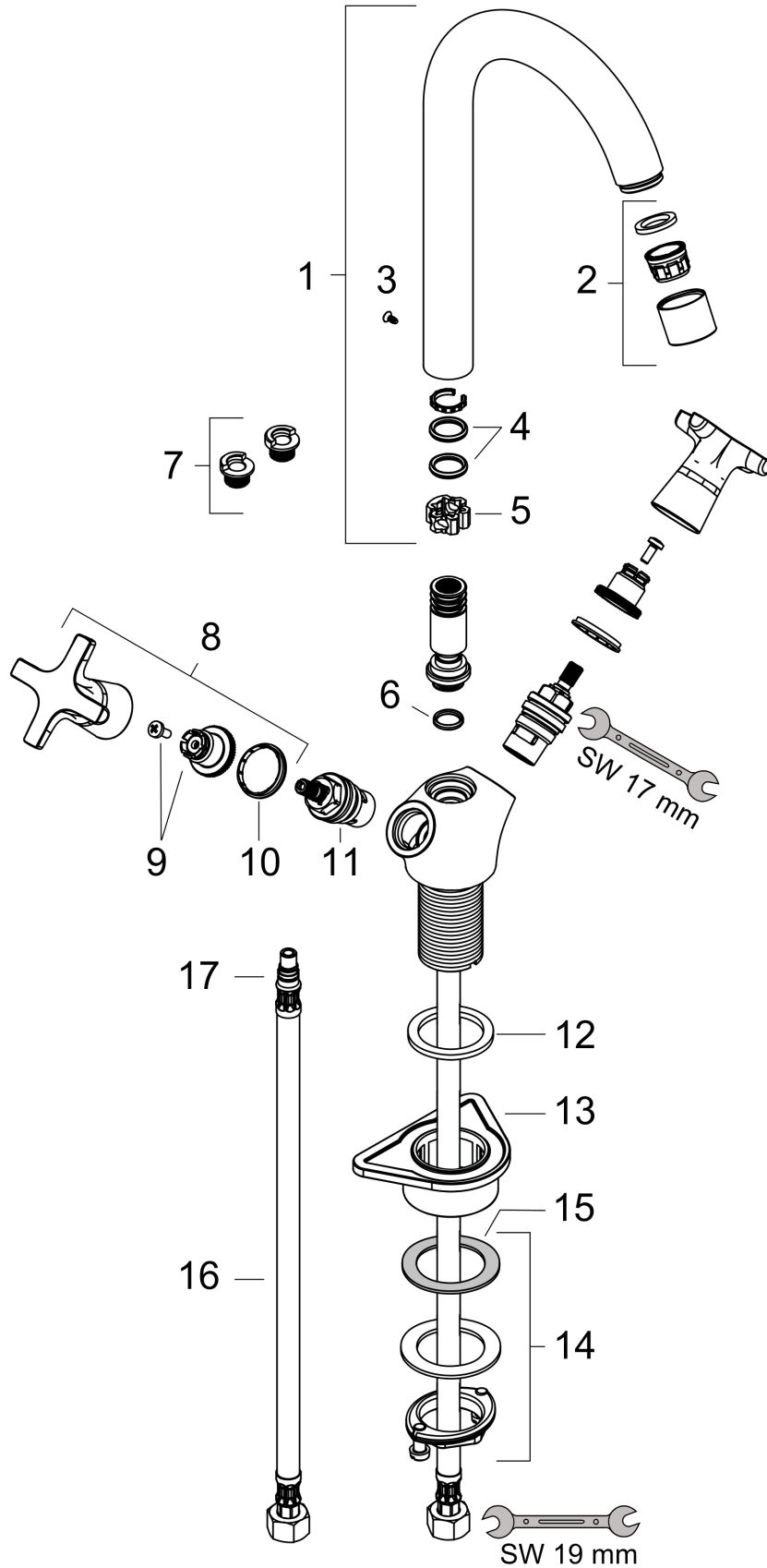


Logis M32
 2-handle kitchen mixer 220, 1jet
 Surfaces: **Chrome** Article Number: **71285000**



Exploded Drawing

Year of production: >01/15



Logis M32

2-handle kitchen mixer 220, 1jet

Surfaces: **Chrome** Article Number: **71285000**



Spare part list

Year of production: >01/15

Pos.	Description	Article Number	Price	PU
1	spout cpl.	92223000	-	1
2	aerator M22x1 (15 l/min)	92368000	-	1
3	screw	97662000	-	1
4	O-Ring 14x2,5	98189000	-	1
5	axialring	97558000	-	1
6	O-ring 12x2	98214000	-	1
7	set of locating rings (110° / 150°)	98486000	-	1
8	handle	92222000	-	1
9	handle fixing set	98932000	-	1
10	set of color-rings cold / hot water	92225000	-	1
11	shut off unit right closing	94009000	-	1
12	flat seal	98749000	-	1
13	support	97523000	-	1
14	fixing set (Ø 32)	13961000	-	1
15	lever collar	97548000	-	1
16	connection hose 600 mm M8x0,75 G3/8	96556000	-	1
17	O-ring 7x1,5	98422000	-	1
a	fixation extension 35 mm	13898000	-	1