

## Basic set 52 l/min for shut-off valve for concealed installation spindle

Surfaces: n.a. Article Number: 15973180



### Description

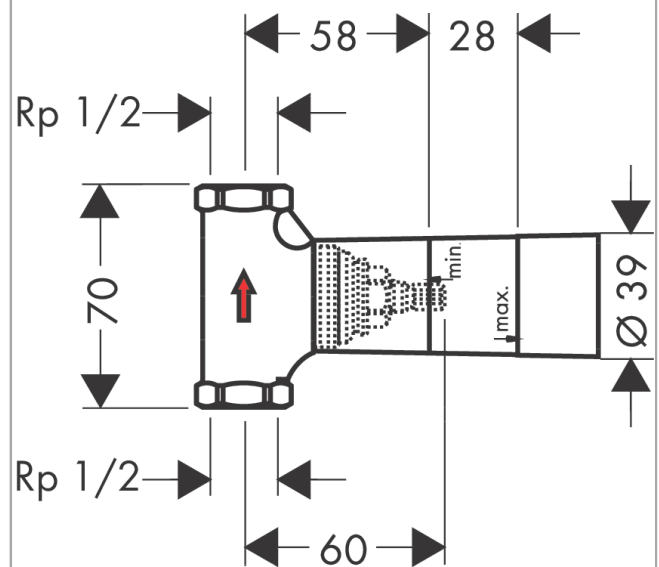
#### product features

- connection type: DN15
- suitable for all shut-off valves finish sets
- connection dimension: DN15
- maximum flow rate at 3 bar: 52 l/min

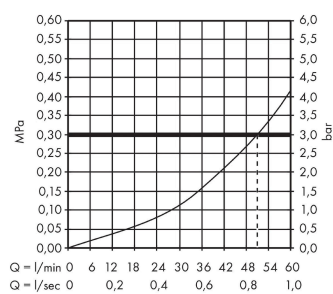
### Product image



### Scale drawing



### Flowchart



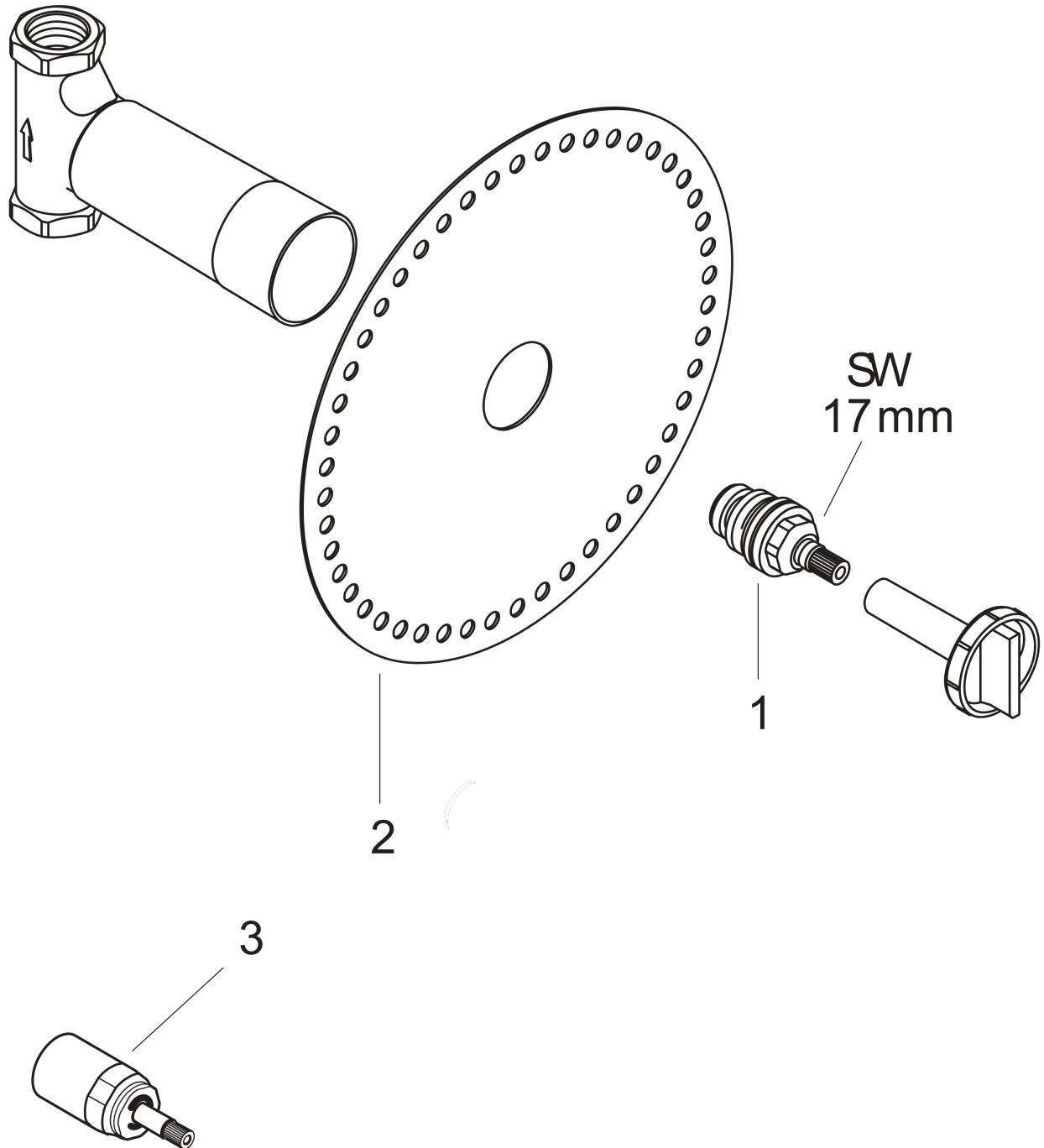
## Basic set 52 l/min for shut-off valve for concealed installation spindle

Surfaces: n.a. Article Number: 15973180



### Exploded Drawing

Year of production: >05/01



**Basic set 52 l/min for shut-off valve for concealed installation spindle**

Surfaces: n.a. Article Number: **15973180**



**Spare part list**

Year of production: >05/01

Pos.	Description	Article Number	Price	PU
1	shut off unit with spindle 1/2"	94142000	-	1
2	sealing foil	96492000	-	1
3	extension 25 mm	96370000	-	1