

## 110 Basin Pillar Tap - Pressmatic Leed

Code. 00592806

### DESCRIPTION

Tap with vertical entry for installation in table and hydromechanical drive by manual pressure.

### TECHNOLOGY AND CHARACTERISTICS



LEED



Bi-nickel finish



High durability



### ADVANTAGES

LEED Products are equipped with highly efficiency aerators for saving water, in compliance with the standards as defined by the Green Building Council Brazil, responsible for issuing certifications for sustainable building constructions.

The PressMatic Lavatory Basin Tap 110 provides a constant flow of 1.3 liters per minute.

It is also versatile as it provides more space for washing the hands as the tap is slanted.

It is equipped with hydro-mechanical activation and it automatically closes after about 6 seconds.

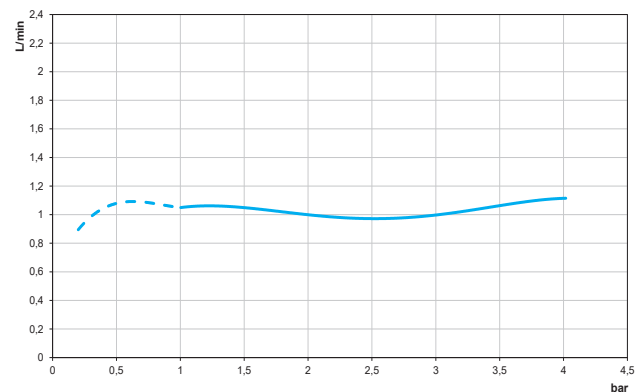
Besides providing the savings, the tap is extremely resistant and long-lasting.

It is coated with bi-nickel chrome plating, supplying great durability and increased resistance to corrosion, maintaining the beauty and the glossiness of the product much longer.

### WARRANTY

Call Docol Authorized Distributor in your country.

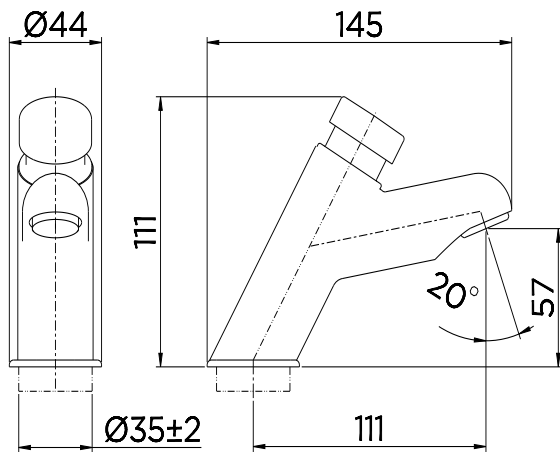
### FLOW CURVE



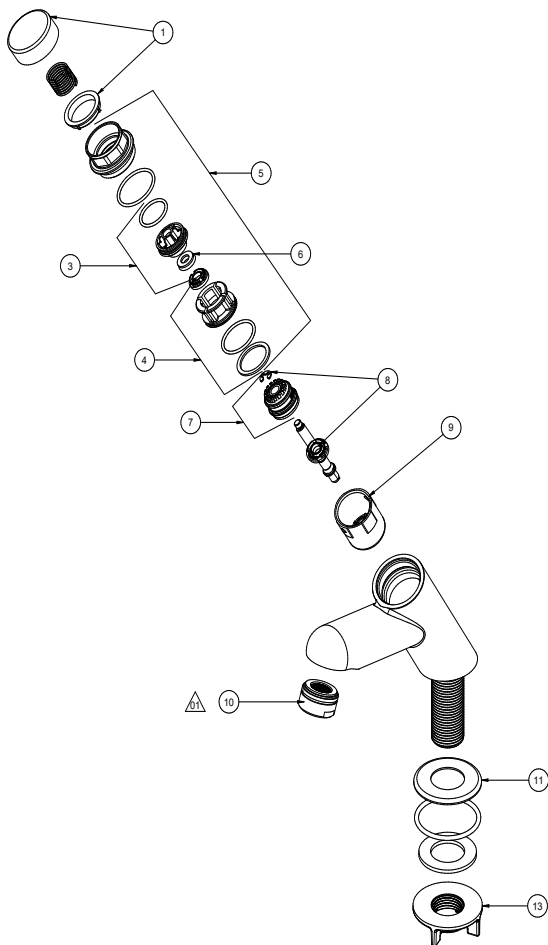
### TECHNICAL SPECIFICATIONS

PRESSURE CLASS OF	0,2 - 4 Bar
GAUGE	1/2" (DN15)
COMPOSITION	Product composed of copper alloy, Plastic Engineering, Zamac.
MAXIMUM WATER TEMPERATURE	40°C
VOLUME OF CYCLE	0,18 l
PACKAGING CONTENT	1 faucet, 1 canopy, 1 fixing nut, 1 sealing ring, 1 guide sticker and 1 installation manual

DIMENSIONS



SPARE PARTS



POS	CODIGO	DENOMINAÇÃO
1	00456306	KIT BOTÃO LATÃO CROMADO PRESS COMPACT
2	17991600	KIT MOLLA Ø17 X 55 PRESCO
3	17991900	KIT RETENTOR/SEDE Ø22 PRESCO
4	17991300	KIT SEDE Ø26 MONT PRESCO
5	17991706	KIT TAMPA Ø34,5 PRESCO CR
6	00186600	KIT RETENTOR PRESS COMPACT
7	17992000	KIT PISTÃO LAVA T MONT PRESCO
8	00071600	KIT EIXO LAVA T PRESCO INOX
9	17992200	KIT CILINDRO D3 PRESCO
10	01666100	KIT AREJADOR STD SPRAY M24X1 0,35GPM CR
11	00119106	KIT CANOPLA Ø44 CR
12	00119200	KIT ANEL RETANGULAR Ø38
13	17995153	KIT CONTRA PORCA R 1/2 PLAST