

Pressmatic Soap/Detergent Dispenser for Basin

17200006

DESCRIPTION

Dispenser for soap / detergent table with vertical inlet and hydro-mechanical drive with light hand pressure.

TECHNOLOGY AND CHARACTERISTICS



High durability



Bi-nickel Chrome

ADVANTAGES

The Pressmatic Soap/Detergent Dispenser is perfect for using in kitchens or bathrooms, adding increased hygiene.

It furnishes an ideal amount of liquid detergent or soap (1 ml), when pressed for washing the hands.

It is practical, as it is filled from above (removing the cartridge) or from below (removing the reservoir).

There is a 1 liter reservoir for liquid detergent or soap.

Its chrome finish biníquel high durability and resistance to corrosion preserves the product for much longer;

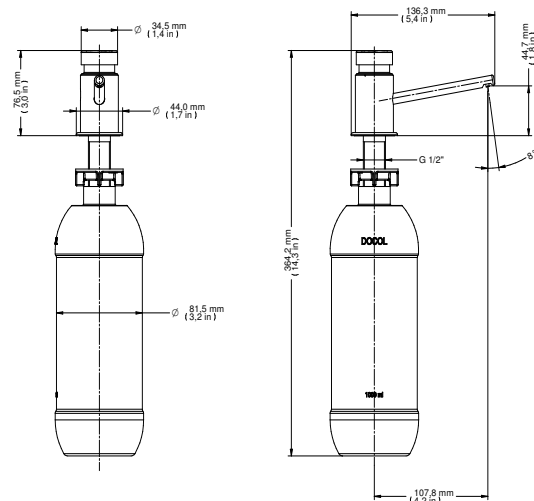
Besides of practically it guarantee highly resistant.



WARRANTY

Call Docol Authorized Distributor in your country.

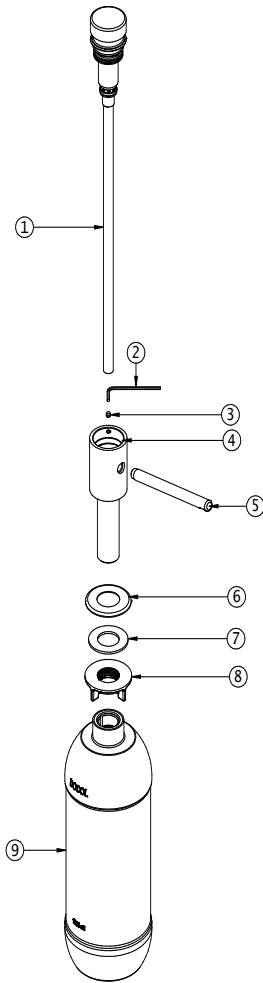
DIMENSIONS



TECHNICAL SPECIFICATIONS

PRESSURE CLASS OF	0,2 - 4 Bar
GAUGE	1/2" (DN15)
COMPOSITION	Product composed of copper alloy, Plastic Engineering, Zamac.

SPARE PARTS



POS	CODE	DESCRIPTION
1	00035806	KIT CARTUCHO ACIONAMENTO SABÃO LÍQUIDO CR
2	00055100	KIT CHAVE SEXTAVADA 2mm DOSADOR SABÃO
3	00455500	KIT PARAFUSO S/ CABEÇA SEXT. INTERNO M4x4
4	00654606	KIT NOVO CORPO DISPENSADOR SABO/DETER CR
5	00654706	KIT TUBO EJETOR (0)3/8" x 104 CR
6	00119106	KIT CANOPLA (0)44 CR
7	00119200	KIT ANEL RETANGULAR (0)38
8	17995153	KIT CONTRA PORCA 1/2 PLÁSTICA
9	17995000	KIT GARRAFA DISPENSADOR SABO/DETERGENTE

WANT YOU KNOW MORE?

REFER TO THE INSTALLATION
MANUAL IN OUR WEBSITE.