

## Hotel Double Hanger

Code 00218306 - Chrome

### DESCRIPTION

The Hotel line focuses on minimalist and functional features, which provide a more versatile environment. The purpose of these products is to create an ample space, with useful pieces to please guests at their accommodation. Among these products, the double hanger is perfect for those who choose to optimize space, as it is indicated to support two pieces of clothing or towels, for example, giving greater comfort to the customer when using the bathroom or bedroom.



### TECHNOLOGY AND CHARACTERISTICS



Bi-nickel  
Chrome



High  
durability

### ADVANTAGES

**Bi-nickel chrome plated**, providing long-lasting durability and higher resistance to corrosion, maintaining the product beautiful and glossy much longer.

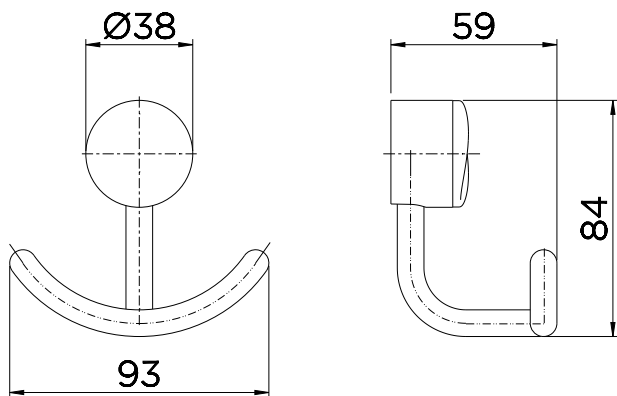
### WARRANTY

Call Docol Authorized Distributor in your country.

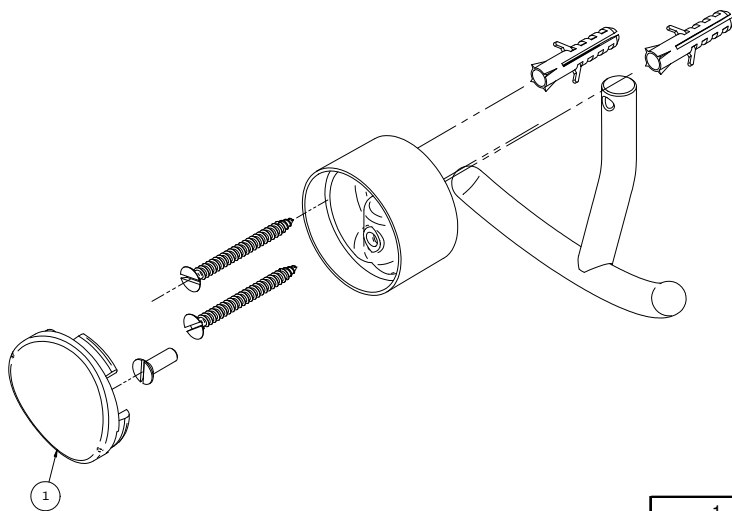
### TECHNICAL SPECIFICATIONS

PACKAGING CONTENT	1 mounted accessory and 1 installation manual
COMPOSITION	Copper alloys, Elastomer, engineering plastic
TYPE OF INSTALLATION	Wall

**DIMENSIONS**



**SPARE PARTS**



1	KIT PORTA LETRA SINGLE	00255606
---	------------------------	----------

**WANT YOU KNOW MORE?**

REFER TO THE INSTALLATION MANUAL  
IN OUR WEBSITE.