





Straight bar	Medinox series
	
	
BR2300-BR2400-BR2600 White finish	BR2300B-BR2400B-BR2600B Matte black finish
BR0300C-BR0400C-BR0600C BR0750C-BR0900C- BR1200C Bright finish	BR0300CS-BR0400CS-BR0600CS BR0750CS-BR0900CS- BR1200CS Satin finish

General description

- Straight bars with two concealed wall brackets that can be installed both horizontally and vertically made of 32 mm diameter stainless steel tube.
- Simple and elegant in design, this grab bars are suitable for people with reduced mobility, elderly people or the handicapped, especially designed to make their life a little bit easier.
- Grab bar has two snap flange covers that hide the installation screws from the wall, enhancing its beauty once installed.
- Designed to add support and comfort, these bars make the bathroom a much safer place for everyone. Ideal model for both public and private spaces.
- Available in up to six different sizes (depending on the model), this straight bar can be installed in the bathtub, in the shower, the toilet or in the sink.
- Optionally, they have a kit to avoid electrical conductivity Mediclinics code KA0020.
- Designed and manufactured according to the guidelines of the Spanish SUA (Safety of Use and Accessibility) regulations.
- Supplied with stainless steel hardware to install on brick wall.

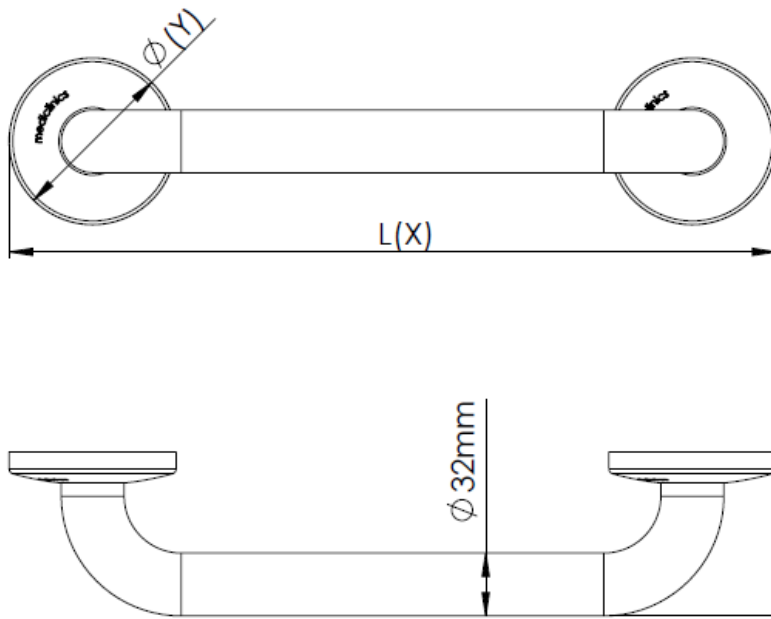
Components and materials

- **BR2300, BR2400 & BR2600:** grab bars made of AISI 201 stainless steel tube, white Epoxy finish.
- **BR2300B, BR2400B & BR2600B:** grab bars made of AISI 201 stainless steel tube, matte black Epoxy finish.
- **BR0300C, BR0400C, BR0600C, BR0750C, BR0900C and BR1200C:** grab bars made of AISI 304 stainless steel tube, bright finish.
- **BR0300CS, BR0400CS, BR0600CS, BR0750CS, BR0900CS and BR1200CS:** grab bars made of AISI 304 stainless steel tube, satin finish.
- **TUBING:** made of 32 mm diameter tube, seamless construction. The bending process guarantees the uniformity of the diameter along the bends.
- **CONCEALED WALL BRACKET:** two units made of stainless steel sheet, 3 mm thick and joined to the bar by welding to the ends of the tube. It has three holes (BR2300, BR2400, BR2600, BR2300B, BR2400B and BR2600B) or two holes (other references), with a diameter of 6.5 mm that allow the fixing of the bar to the wall.
- **SNAP FLANGE COVER:** two units that conceal the installation screws made of 1.5 mm thick polypropylene (BR2300, BR2400, BR2600, BR2300B, BR2400B and BR2600B) or 0.8 mm thick stainless steel (other references).

Technical specifications

Dimensions	<i>See table of dimensions</i>
Bar tube	<i>Ø 32mm</i>
Wall bracket thickness	<i>3 mm</i>
Snap flange cover thickness (BR2300, BR2400, BR2600, BR2300B, BR2400B y BR2600B)	<i>1.5 mm</i>
Snap flange cover thickness (BR0300C, BR0400C, BR0600C, BR0750C, BR0900C, BR1200C, BR0300CS, BR0400CS, BR0600CS, BR0750CS, BR0900CS y BR1200CS)	<i>0.8 mm</i>

Dimensions



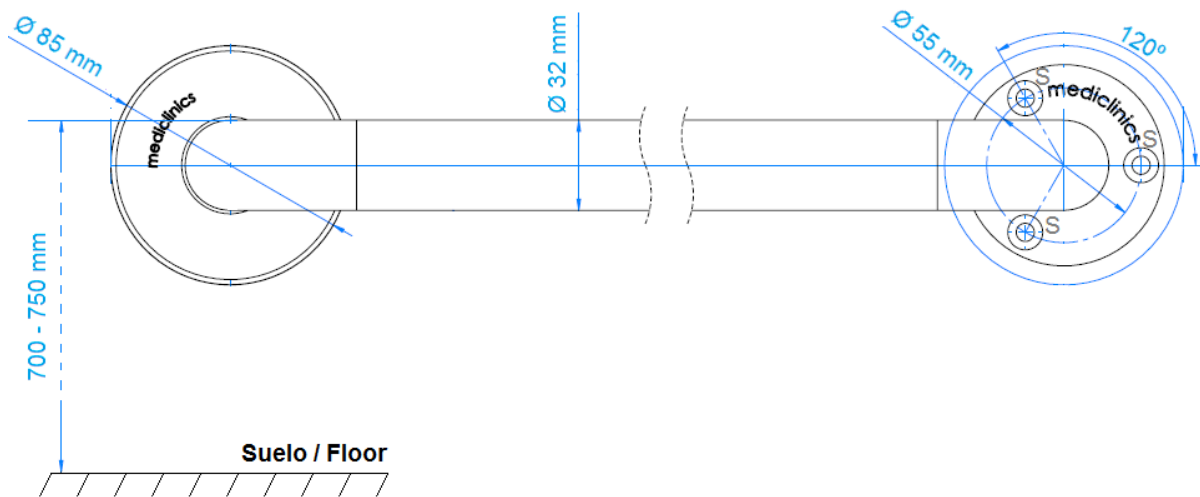
Ref. / Code	L(X)	Ø (Y)	Material	Acabado / Finish
BR2300	390mm	85mm	Acero Inox Stainless steel	Epoxi blanco White epoxy
BR2300B	390mm	85mm	Acero Inox Stainless steel	Epoxi negro Black epoxy
BR300C	387mm	82mm	Acero Inox Stainless steel	Brillante Bright
BR300CS	387mm	82mm	Acero Inox Stainless steel	Satinado Satin
BR2400	540mm	85mm	Acero Inox Stainless steel	Epoxi blanco White epoxy
BR2400B	540mm	85mm	Acero Inox Stainless steel	Epoxi negro Black epoxy
BR400C	537mm	82mm	Acero Inox Stainless steel	Brillante Bright
BR400CS	537mm	82mm	Acero Inox Stainless steel	Satinado Satin
BR2600	695mm	85mm	Acero Inox Stainless steel	Epoxi blanco White epoxy
BR2600B	695mm	85mm	Acero Inox Stainless steel	Epoxi negro Black epoxy
BR600C	692mm	82mm	Acero Inox Stainless steel	Brillante Bright
BR600CS	692mm	82mm	Acero Inox Stainless steel	Satinado Satin
BR750C	842mm	82mm	Acero Inox Stainless steel	Brillante Bright
BR750CS	842mm	82mm	Acero Inox Stainless steel	Satinado Satin
BR900C	997mm	82mm	Acero Inox Stainless steel	Brillante Bright
BR900CS	997mm	82mm	Acero Inox Stainless steel	Satinado Satin
BR1200C	1200mm	82mm	Acero Inox Stainless steel	Brillante Bright
BR1200CS	1200mm	82mm	Acero Inox Stainless steel	Satinado Satin

Dimensions: ± 4%

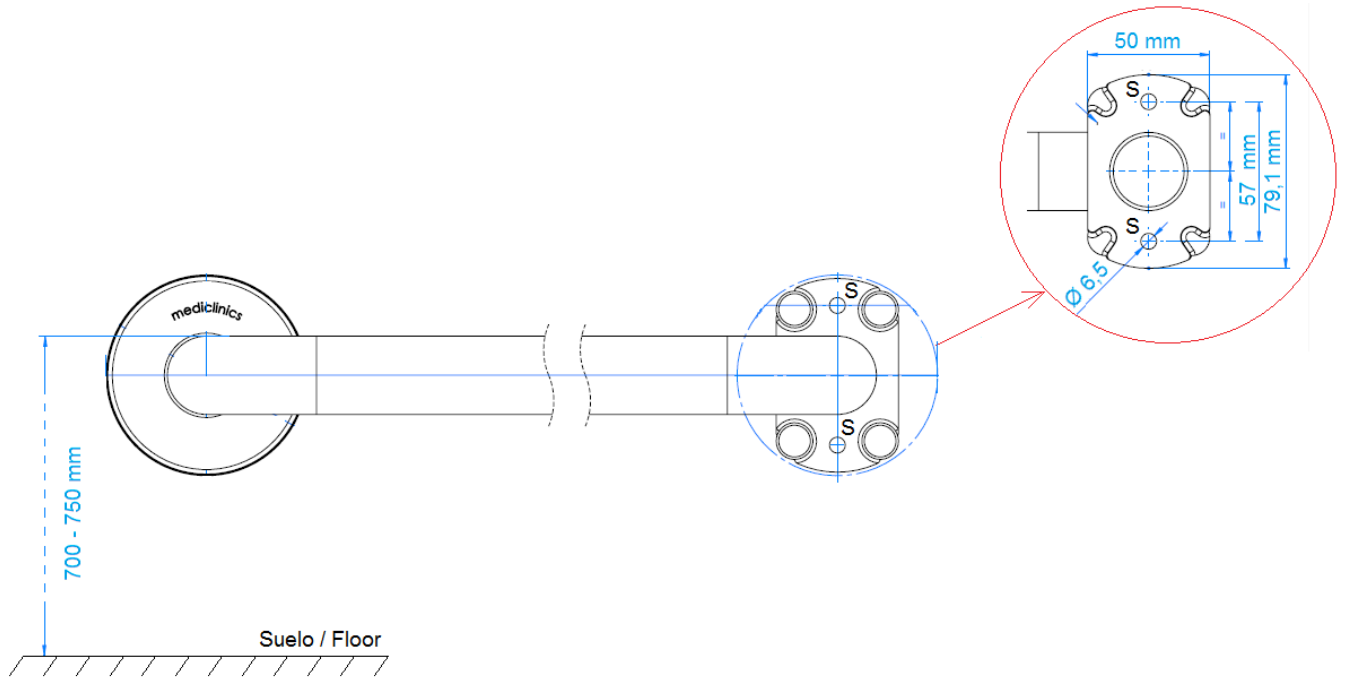
MOUNTING TEMPLATE

Fix the grab bar to the wall through the holes of the wall brackets to the wall, using the screws provided and taking into account the distances of the points indicated by an "S" in the following figure:

BR2300, BR2400, BR2600, BR2300B, BR2400B and BR2600B



BR0300C, BR0400C, BR0600C, BR0750C, BR0900C, BR1200C, BR0300CS, BR0400CS, BR0600CS, BR0750CS, BR0900CS and BR1200CS



Mediclinics is not responsible for the rust appearing on its bars and technical aids due to poor maintenance and cleaning or carried out with unsuitable cleaning products.

Mediclinics, S.A., reserves the right to make changes and/or modifications to the products and their specifications without prior notice
Review 08-21 © mediclinics S.A.

