

DocolTronic - Concealed Urinal Valve

00442316

DESCRIPTION

Concealed Urinal Valve with horizontal entry for installation on the table and automatic activation of water flow through the approximation of hands in the field detection sensor.

TECHNOLOGY AND CHARACTERISTICS



DocolSensor



DocolTronic



Differential Finishing



ADVANTAGES

The concealed products are robust and versatile, besides providing more hygiene and safety.

The water flow is automatically activated when the hands approach the detection field of the sensor and turned off when the hands are away or after 60 seconds of continuous flow.

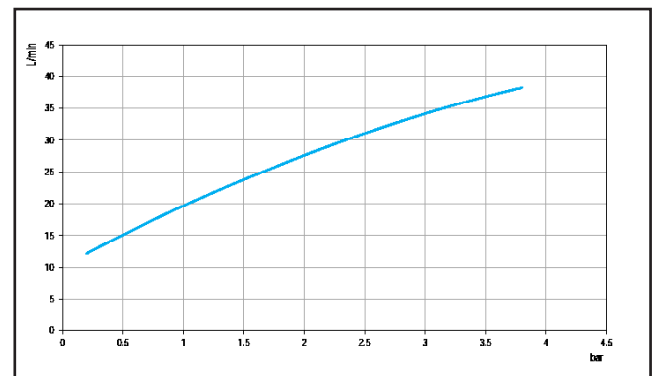
These products are also available in taps and urinals, they are ideal for areas where large numbers of people circulate, such as airports, shopping centers, bars, restaurants, and other similar locations.

DocolSensor: Automatic activation of the water flow just by hands approaching the sensor detection field.

DocolTronic: It also operates on 4 AA type batteries, assuring independent product use in cases of power failure.

Escutcheon made of brushed stainless steel providing durability and strength also with a hint of sophistication.

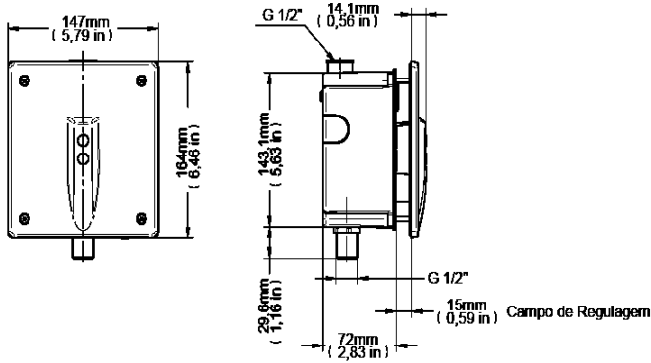
RATED FLOW CURVE



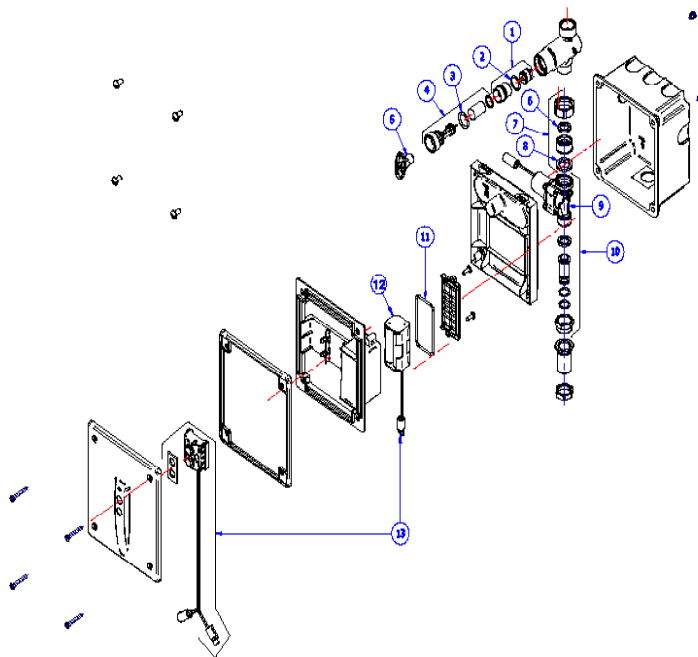
TECHNICAL SPECIFICATION

PRESSURE CLASS OF	0,2 a 4 Bar
GAUGE	1/2" (DN15)
COMPOSITION	Copper alloys, elastomer, engineering plastics, stainless steel and electronic components.
MAXIMUM WATER TEMPERATURE	40°C
COMPLEMENTS	Accompany Flow Regulator Registry (RRV).
OUTRASCARACTERÍSTICAS	The delay time for closing the solenoid valve: 2 seconds
	The maximum continuous transmission: 60 seconds
	Input voltage: 90 - 240VAC
	Output voltage: 12.8 ± 5%VDC
	Frequency: 50 - 60Hz
	Power: 6 W
	Dielectric insulation: 3kV / 60's

DIMENSIONS



SPARE PARTS



POS	CODE	DESCRIPTION
1	00483700	Kit Inserto Retencao Mont
2	00437700	Kit Anel O'ring
3	00437900	Kit Anel O'ring 2-114
4	00065600	Kit Porta Filtro M24
5	20992100	Kit Chave AR
6	00279300	Kit Anel Ret (0)19
7	00067800	Kit Porca União R3/4X1/2
8	00428100	Kit Anel Ret (0)23
9	00430100	Kit Val Sol DocolTronic 6V
10	00532300	Kit Val Sol DocolTronic Embutida
11	30992200	Kit Anel Ved VS 2
12	00511800	Kit Suporte Bateria SP5
13	00484100	Kit Sensor Mini Mic Emb DocolTronic

WANTYOUKNOWMORE?
REFER TO THE INSTALLATION
MANUAL IN OUR WEBSITE.