

Croma

Overhead shower 280 1jet

Surfaces: **Brushed Bronze** Article Number: **26220140**



Description

product features

- shower head size: 280 mm
- spray type: RainAir
- ball-joint: overhead shower angle adjustable
- material spray disc: metal
- maximum flow rate at 3 bar: 15,6 l/min
- flow rate RainAir spray (at 3 bar): 15,6 l/min
- minimum function point for proper function: 9,5 l/min
- minimum flow pressure: 1,5 bar
- spray disc removable for cleaning
- installation: ceiling or wall
- connection thread G ½
- connection dimension: DN15

Technology



Design awards



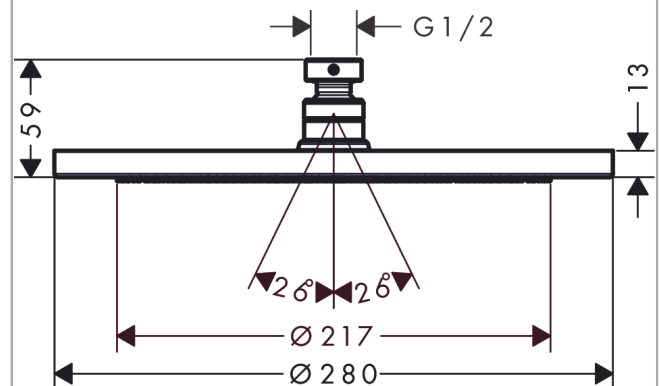
reddot award 2017
winner



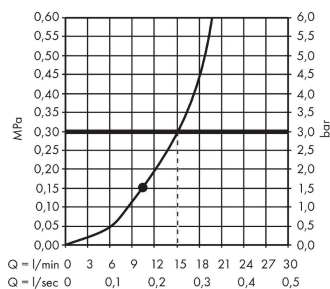
Product image



Scale drawing



Flowchart



The consumption was measured in combination with the appropriate fittings (thermostat/mixer/ in-wall valve) to reflect actual application in practice.

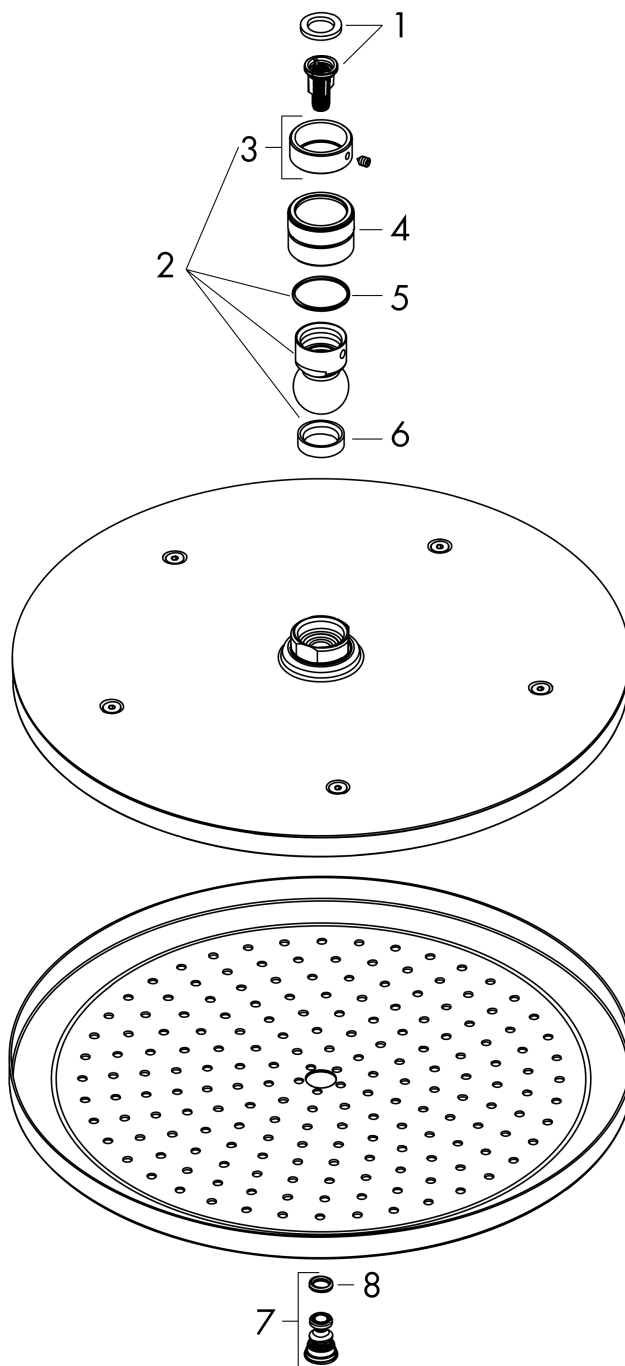
Croma
Overhead shower 280 1jet
 Surfaces: **Brushed Bronze**

Article Number: **26220140**



Exploded Drawing

Year of production: >06/20



Croma
Overhead shower 280 1jet
 Surfaces: **Brushed Bronze** Article Number: **26220140**



Spare part list

Year of production: >06/20

Pos.	Description	Article Number	Price	PU
1	filter insert	97708000	-	1
2	ball joint	98941140	-	1
3	lock washer	98942140	-	1
4	nut	97958140	-	1
5	lever collar	97536000	-	1
6	seal	97606000	-	1
7	air jet	95794140	-	1
8	O-ring 7x2	98419000	-	1