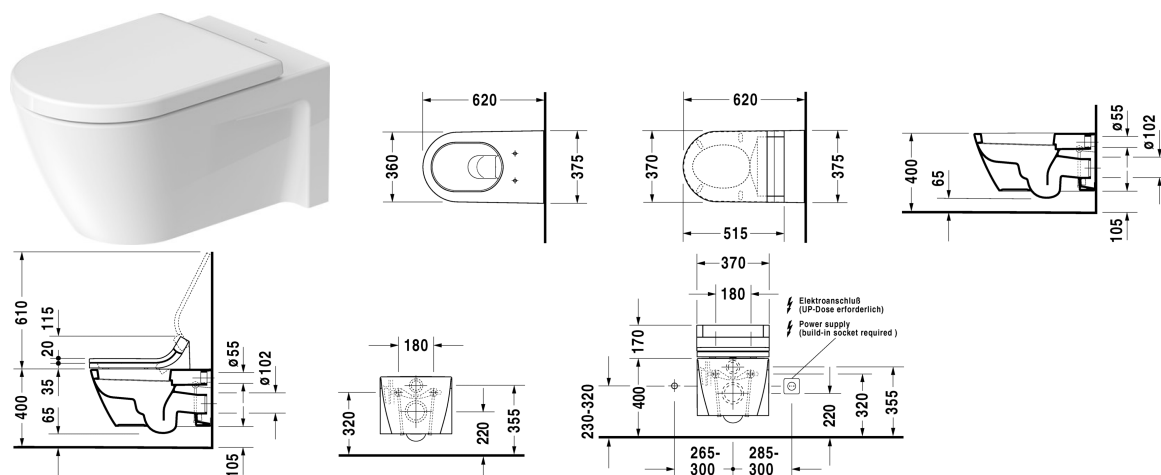


**Starck 2 Toilet wall mounted # 2533090000**

| &lt; 375 mm &gt; |



Toilet wall mounted	Dimension	Weight	Order number
washdown model, Durafix included, UWL class 1			
<b>Colors</b>			
00 White Alpin			
<b>Variant</b>			
♠ 4,5 l	375 x 620 mm	29.000 kilogram	2533090000
<b>Infobox</b>			
Durafix for invisible fixation is included in delivery, For Starck 2 WCs, constructed before February 2012, the toilet seats without soft closure # 0066910000 and with soft closure # 0066990000 are suitable			
Sanitary ceramics with the special WonderGliss surface finish will remain clean and attractive-looking for a long time to come. When ordering WonderGliss please add a "1" as eleventh digit to the model number.			
<b>Accessory for ceramics</b>			
Fixing for wall mounted bidet and wall mounted toilet	Ø 12 x 180 mm	0.200 kilogram	006500
<b>Accessory</b>			
Noise reduction gasket			Schallschutz-Set 005090
<b>Suitable products</b>			
Toilet seat ring elongated, open front, hinges plastic, without soft closure,			006431
Toilet seat ring elongated, open front, hinges plastic, with soft closure,			006439

**Starck 2 Toilet wall mounted # 2533090000**

|&lt; 375 mm &gt;|

Toilet seat and cover elongated, hinges stainless steel, without soft closure,	006332
Toilet seat and cover elongated, hinges stainless steel, removable, with soft closure,	006339

*All drawings contain the necessary measurements which are subject to standard tolerances. They are stated in mm and are non-binding. Exact measurements, in particular for customised installation scenarios, can only be taken from the finished piece.*